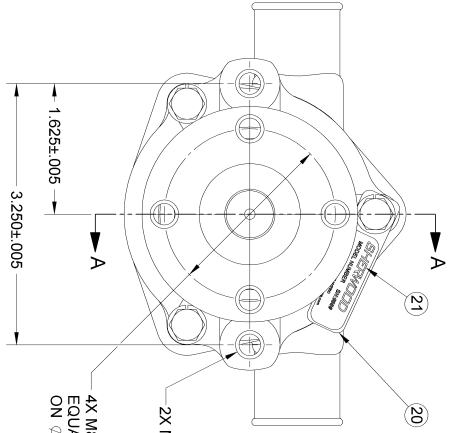
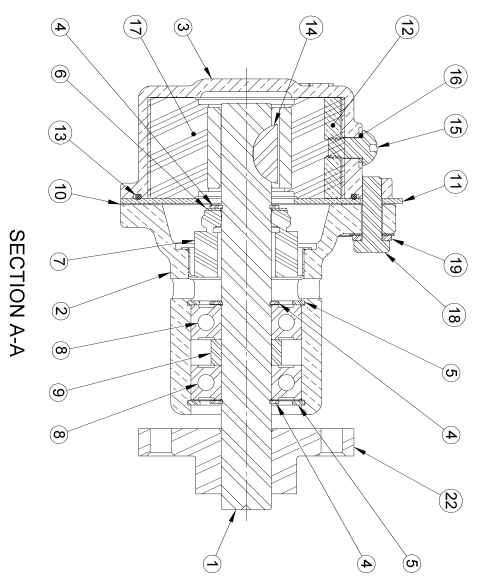
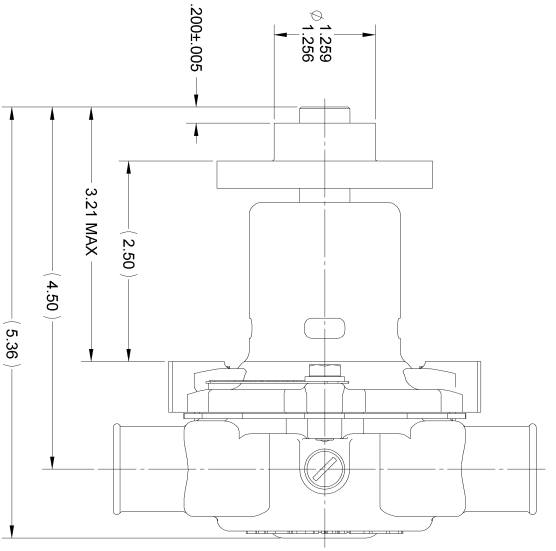


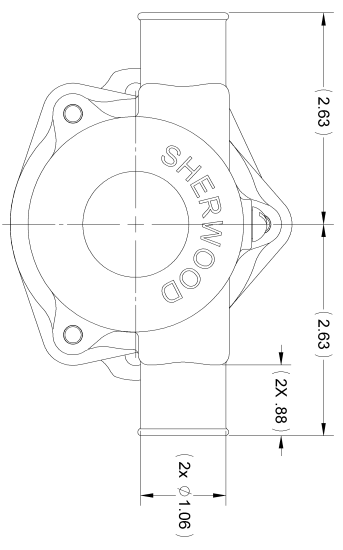
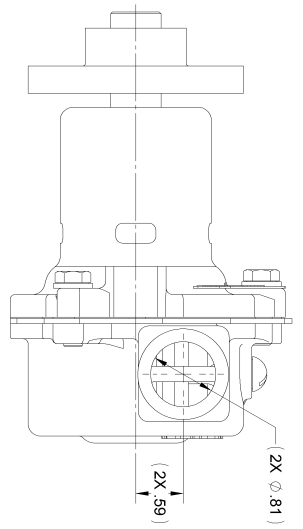
ITEM NO.	PART NUMBER	DESCRIPTION	QTY.
1	13363	SHAFT	1
2	19948	BODY - MACH	1
3	13793	HOUSING	1
4	04258	EXT. RETAINING RING	3
5	04259	INT. RETAINING RING	2
6	04264	FLAT WASHER	1
7	12314	TYPE 6A SEALSEAT ASSY	1
8	12211	BALL BEARING	2
9	05133	SPACER	1
10	12855	GASKET	1
11	12856	WEAR PLATE	1
12	15883	CAM	1
13	12231	O-RING	1
14	04432	WOODRUFF KEY	1
15	19995	SCREW 1/4-20 ROUND HD	1
16	19996	CAM WASHER	1
17	09959	RUBBER IMPELLER	1
18	13794	HHCS M6X1 X 20MM	3
19	12710	LOCKWASHER	3
20	13285	TAG	1
21	23083	LABEL	1
22	13795	HUB - PULLEY	1

NOTES:

1. APPLY BEAD OF PERMATEX AROUND THREADED HOLE IN CAM PRIOR TO ASSEMBLY, ITEM 12.
2. USE WATER ONLY WHEN INSTALLING TYPE 6A SEALSEAT ASSY, ITEM 7.
3. USE COOLANT TO AID IN INSTALLATION OF RUBBER IMPELLER, ITEM 17.
4. TORQUE HHCS M6x1 X 20mm TO 5 - 8 FT-LBS.
5. TO PROVIDE MAXIMUM SHAFT TO HUB BREAK AWAY TORQUE, THE SHAFT MUST BE HELD SQUARE WITH THE HUB. THE SHAFT WHEN HELD SQUARE WITH THE HUBS OF PULLEY WILL REDUCE BREAKAWAY TORQUE. ITEMS 1 & 22.
6. PRESSURE TEST PUMP TO 20 - 30 PSI.
7. PRINT ON LABEL, ITEM 21.



4X M8x1.25mm THD HOLES
EQUALLY SPACED
ON \varnothing 2.125±.005 B.C.



REV	DATE	DESCRIPTION
D	6/27	REVISED 25MM SEAL SEAT. 1. USE 1/8" CAM SPRING ASSY.
C	4/07	ADDED 1995 CAM SPRING & 1995 CAM WASHER IN DRAWING.
B	1/19	CHG DIM TO 12211. VAN 2948
A	...	UPDATED BOM
REV.	...	1988 VALS MOD
REV.	...	REVISED DESCRIPTION

SHERWOOD
A Div. of Hygro Corporation, A PERKINS COMPANY
375 Fifth Avenue NW, New Brighton, MN 55112 (651) 766-6300

DRAWING BASED ON ASME Y14.5M 1994 (DO NOT SCALE PRINT)

SCALE: SHEET NUMBER 1 OF 1

THIRD ANGLE PROJECTION

REPLACES PART NO. REV.

DWG. BY: KB DATE: 3/01/1992

CHECKED BY: TUG DATE: 5/19/1992

APPROVED BY: DATE: 5/19/1992

AND WITHOUT WRITTEN AUTHORIZATION, THIS DRAWING IS NOT TO BE REPRODUCED OR TRANSMITTED IN ANY FORM OR BY ANY MEANS, ELECTRONIC OR MECHANICAL, INCLUDING PHOTOCOPYING, RECORDING, OR BY ANY INFORMATION STORAGE AND RETRIEVAL SYSTEM.

PART DESCRIPTION: RUBBER IMPELLER PUMP ASSY

PART NUMBER: K75B

REV: D