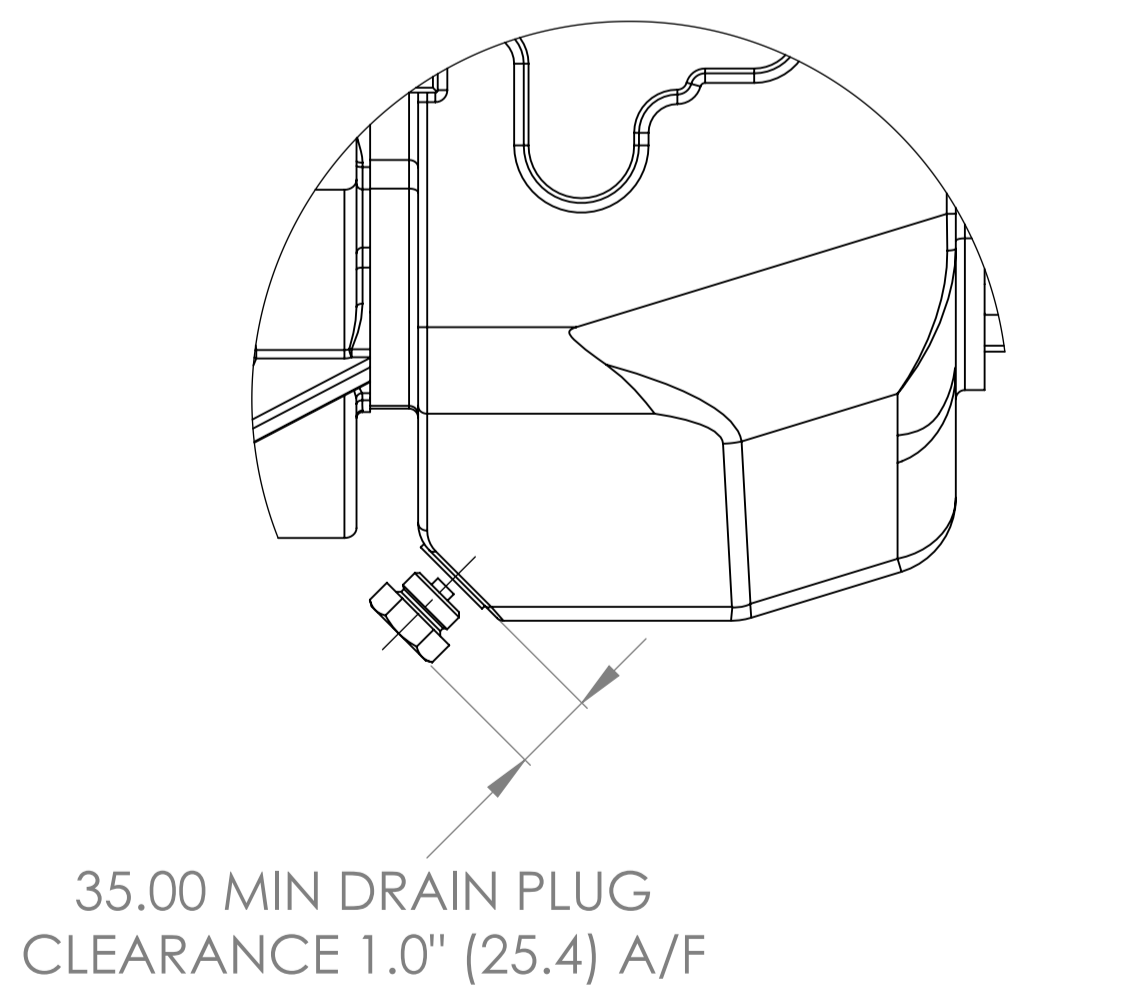
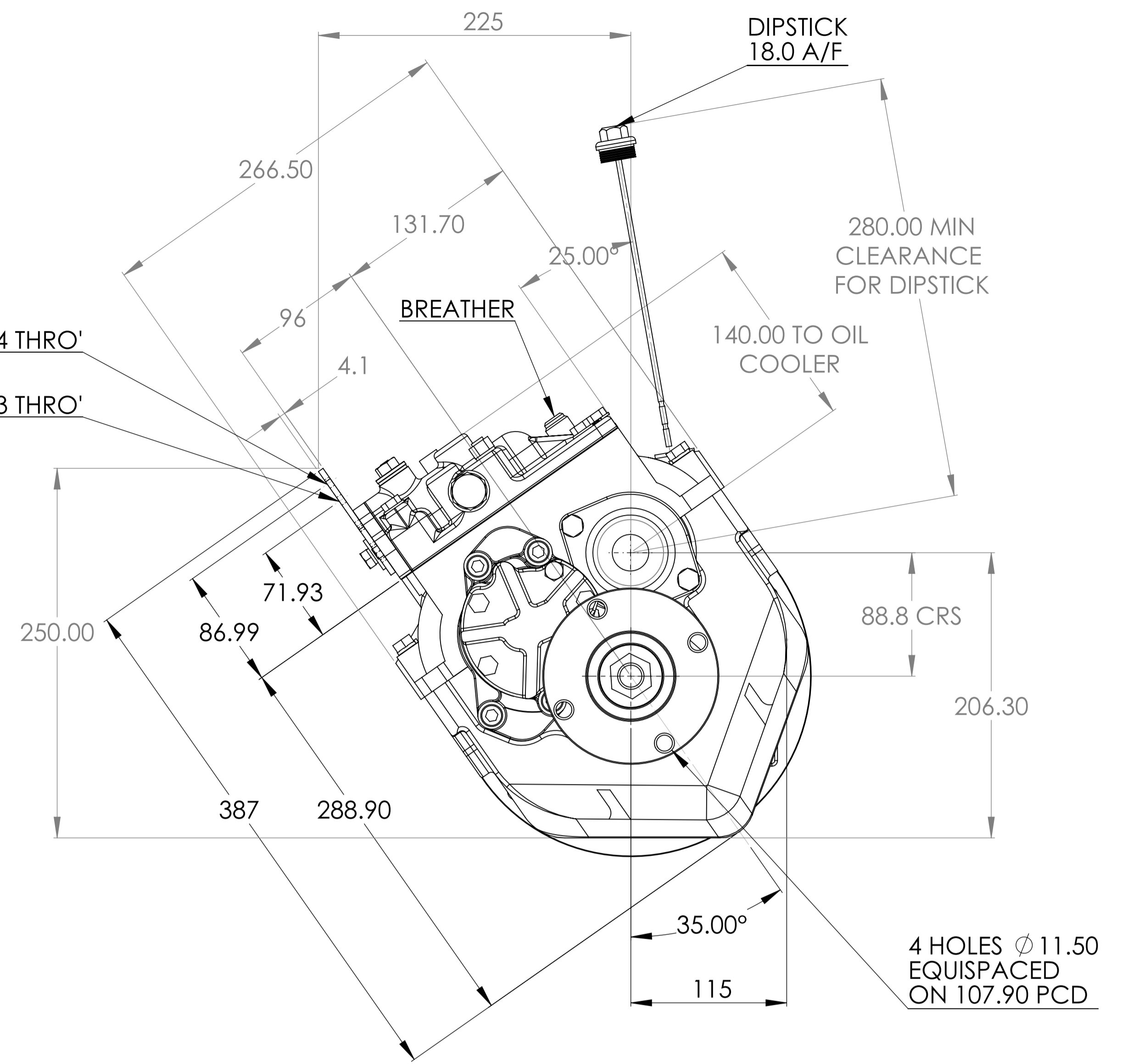
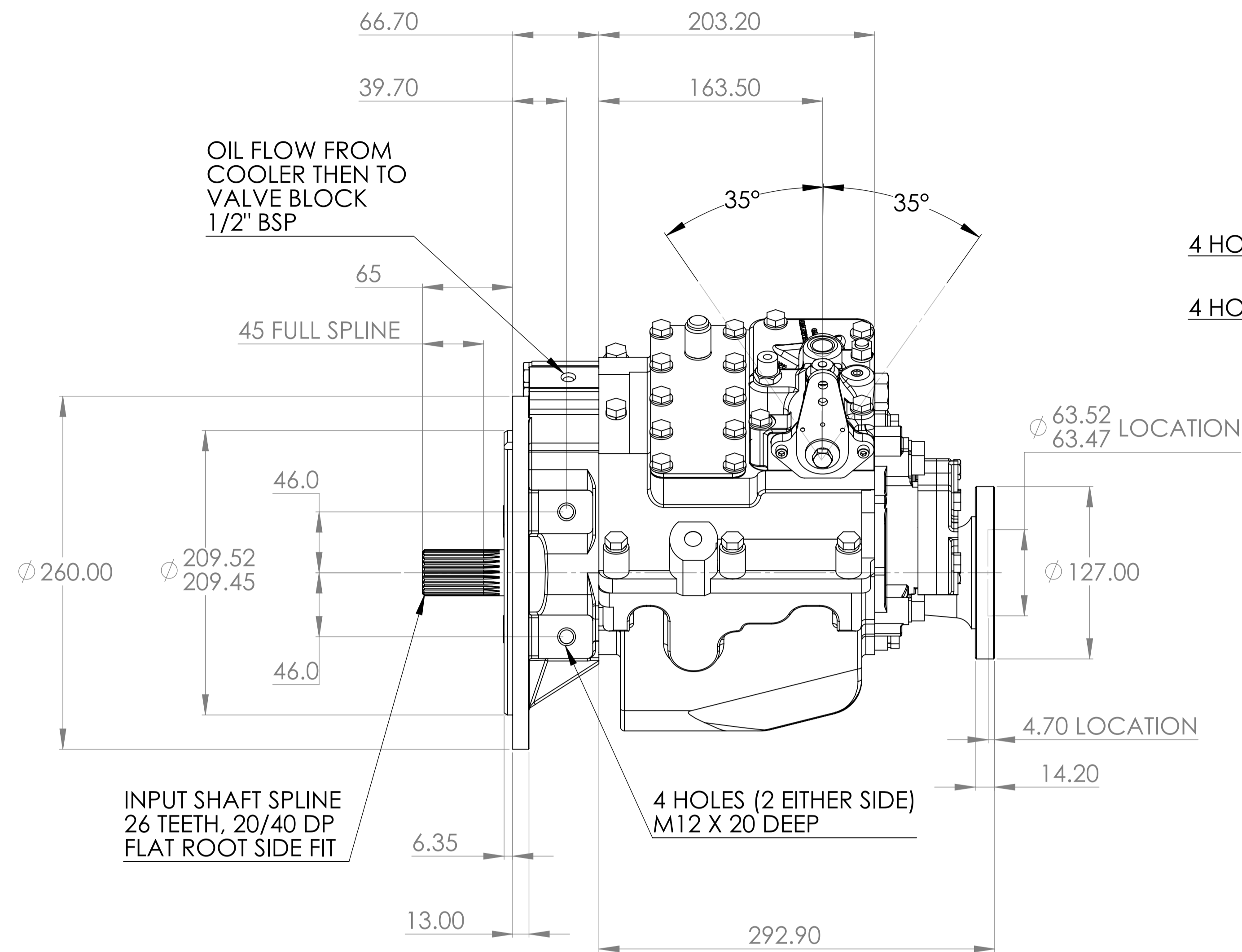
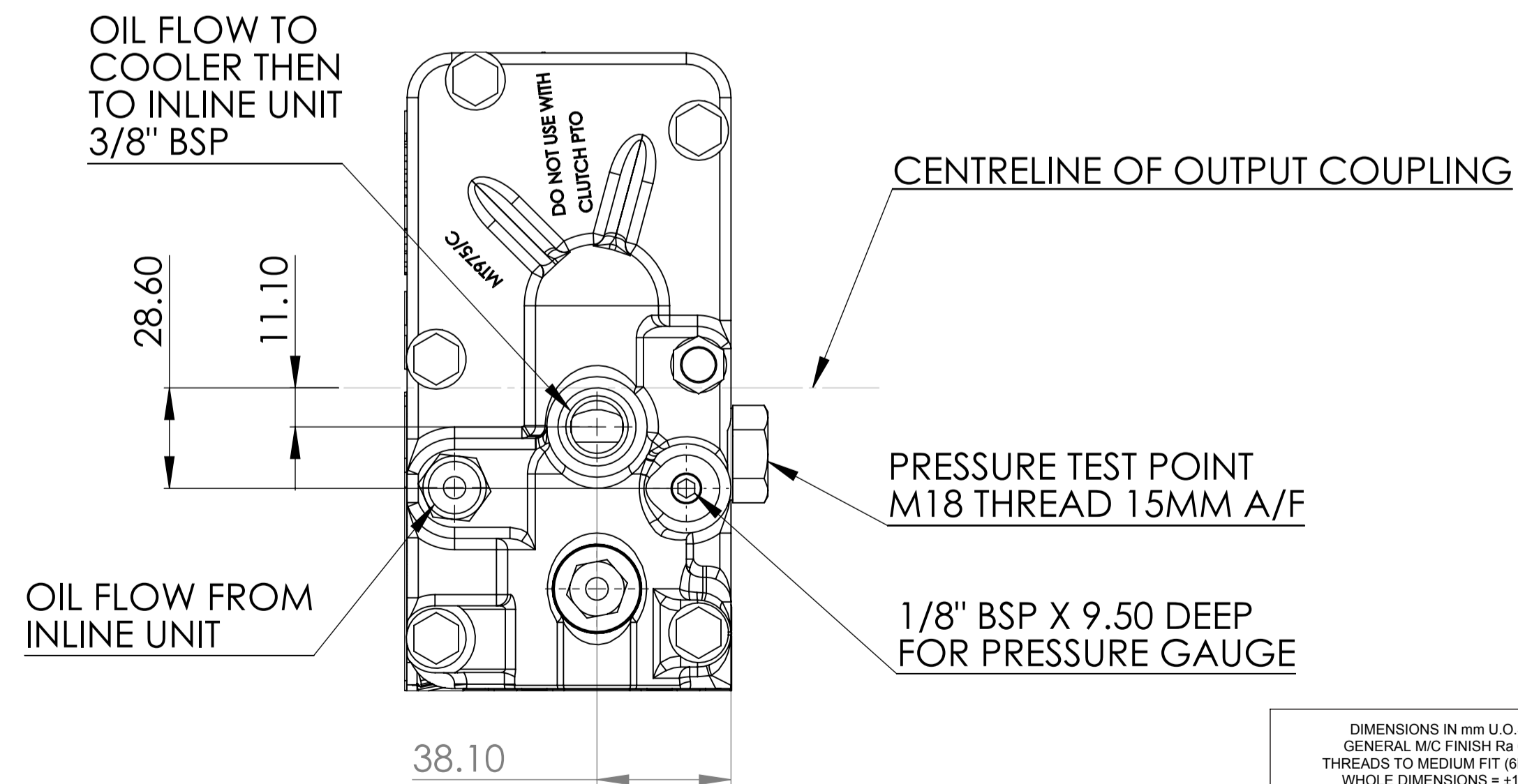


PART No: PRM260C-INST



SCRAP VIEW SHOWING DRAIN PLUG



SCRAP VIEW OF VALVE BLOCK

DIMENSIONS IN mm U.S. GENERAL M/C FINISH Ra 6.3, THREADS TO MEDIUM FIT (6H/6g), WHOLE DIMENSIONS = ±1mm, DECIMAL DIMENSIONS = ±0.25mm, ANGULAR DIMENSIONS = ±0.50°		THIS DOCUMENT IS CONFIDENTIAL AND IS THE PROPERTY OF PRM NEWAGE LTD. IT IS SUPPLIED ON THE EXPRESS CONDITION THAT IT MAY NOT BE LOANED, COPIED OR DISCLOSED TO ANY THIRD PARTY AND MUST BE RETURNED ON DEMAND.		DRAWN: S HYLANDS		SIGNED: _____		ISS: _____		MODIFICATION DESCRIPTION		BY		DATE		MOD No	
BREAK ALL SHARP EDGES 0.5 x 45° PLEASE INFORM OF ANY ERRORS		DO NOT SCALE IF IN DOUBT ASK!		SHEET No: 1 of 1		STATUS: PRODUCTION		SCALE: 1:2.5		DATE: 27/01/2016		PRM NEWAGE LIMITED BARLOW ROAD ALDERMAN'S GREEN IND. EST. COVENTRY CV2 2LD Tel: +44 (0)24 7661 7141 Fax: +44 (0)24 7661 1845 Email: design@prm-newage.com Web: www.prm-newage.com					

SHEET SIZE: A1	MATERIAL:	HEAT TREATMENT:	ISSUE: A
----------------	-----------	-----------------	----------

TITLE: PRM260C - INLINE GEARBOX INSTALLATION	PART No: PRM260C-INST
--	-----------------------