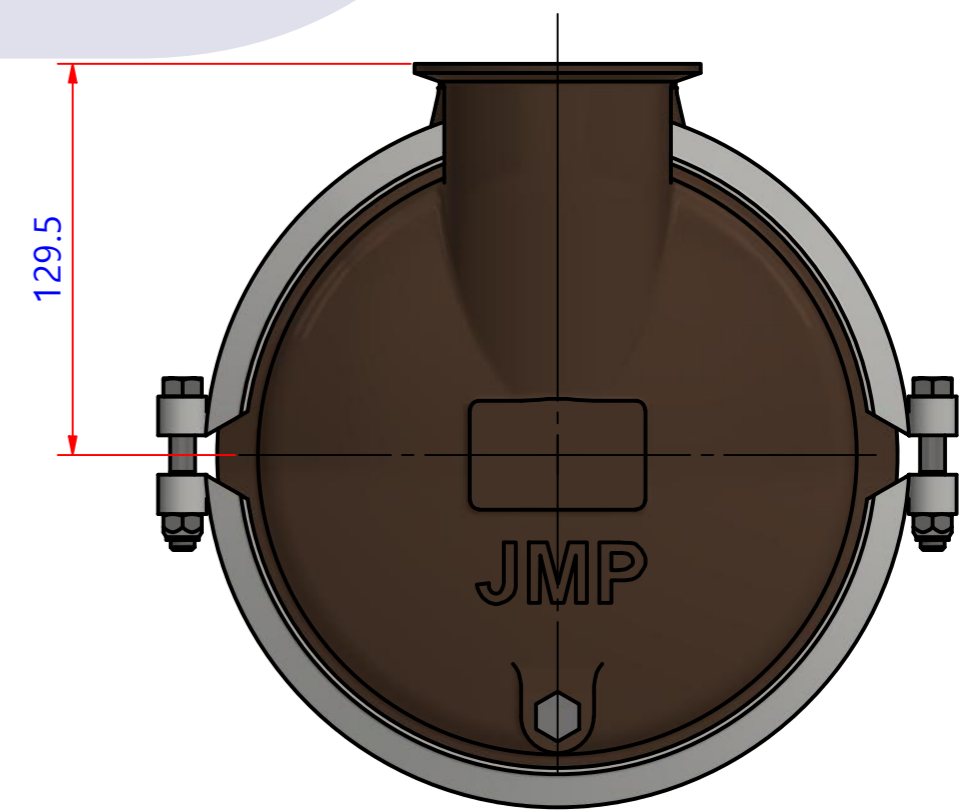
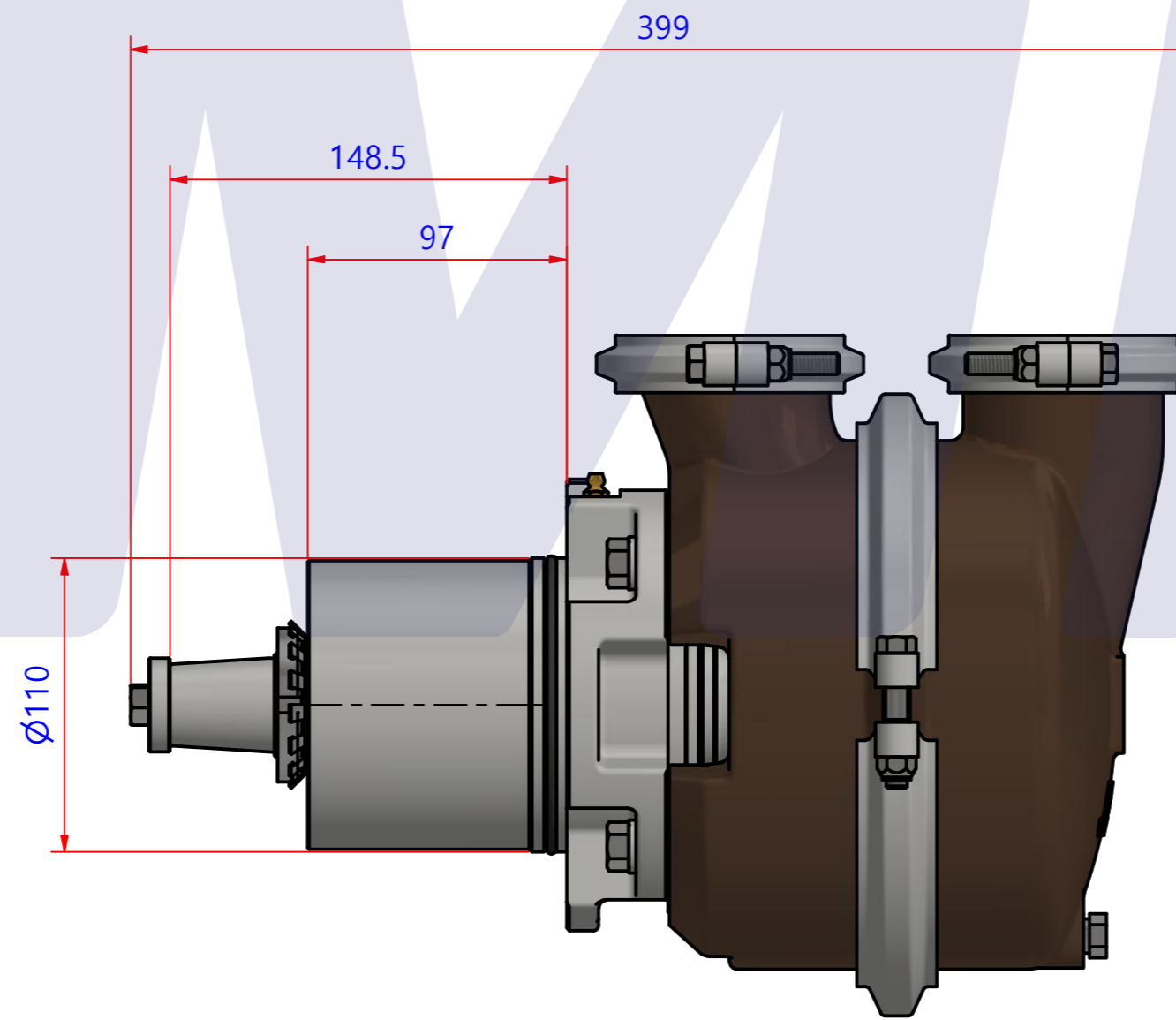
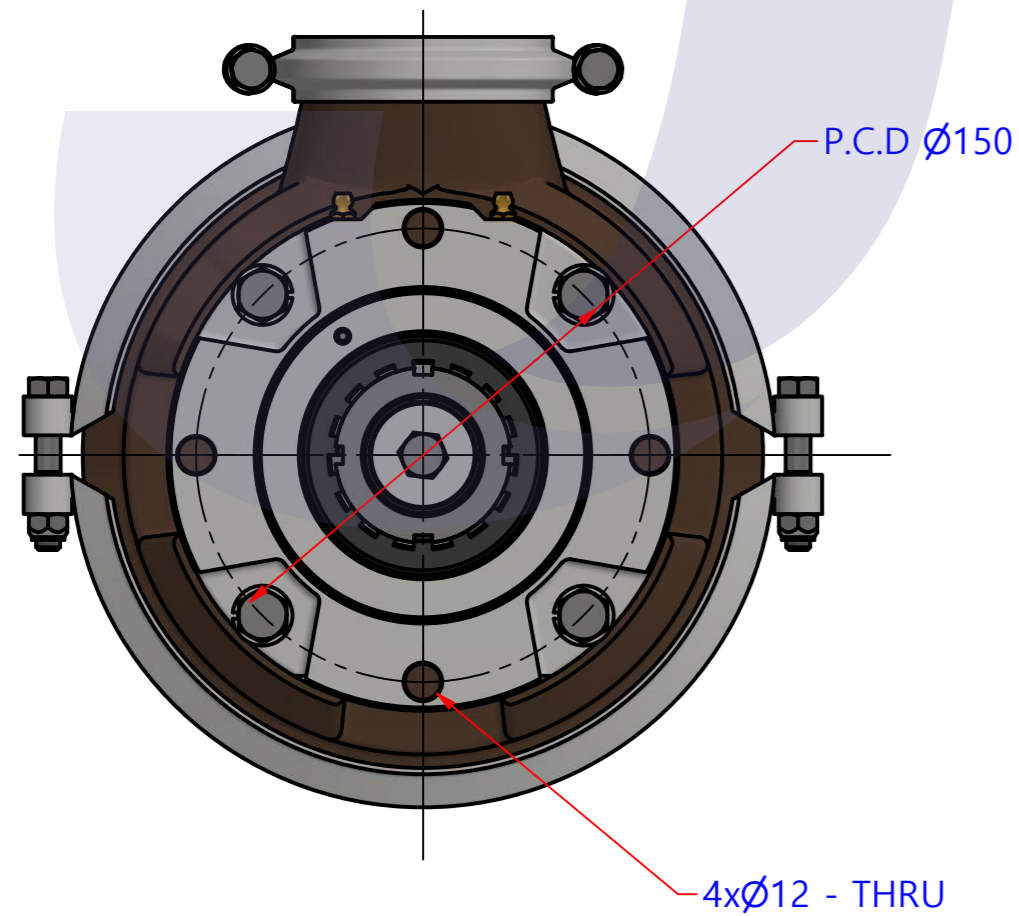
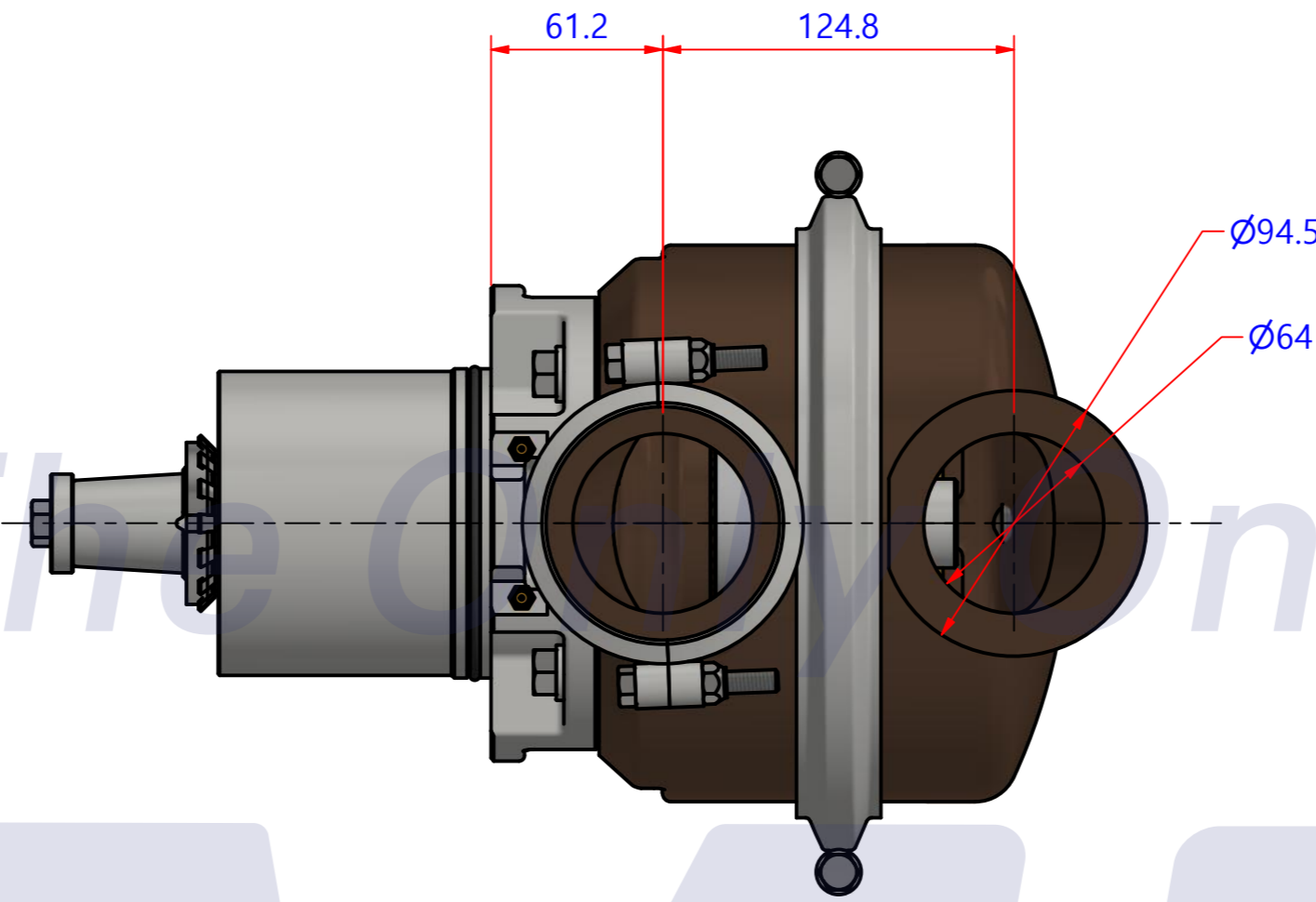
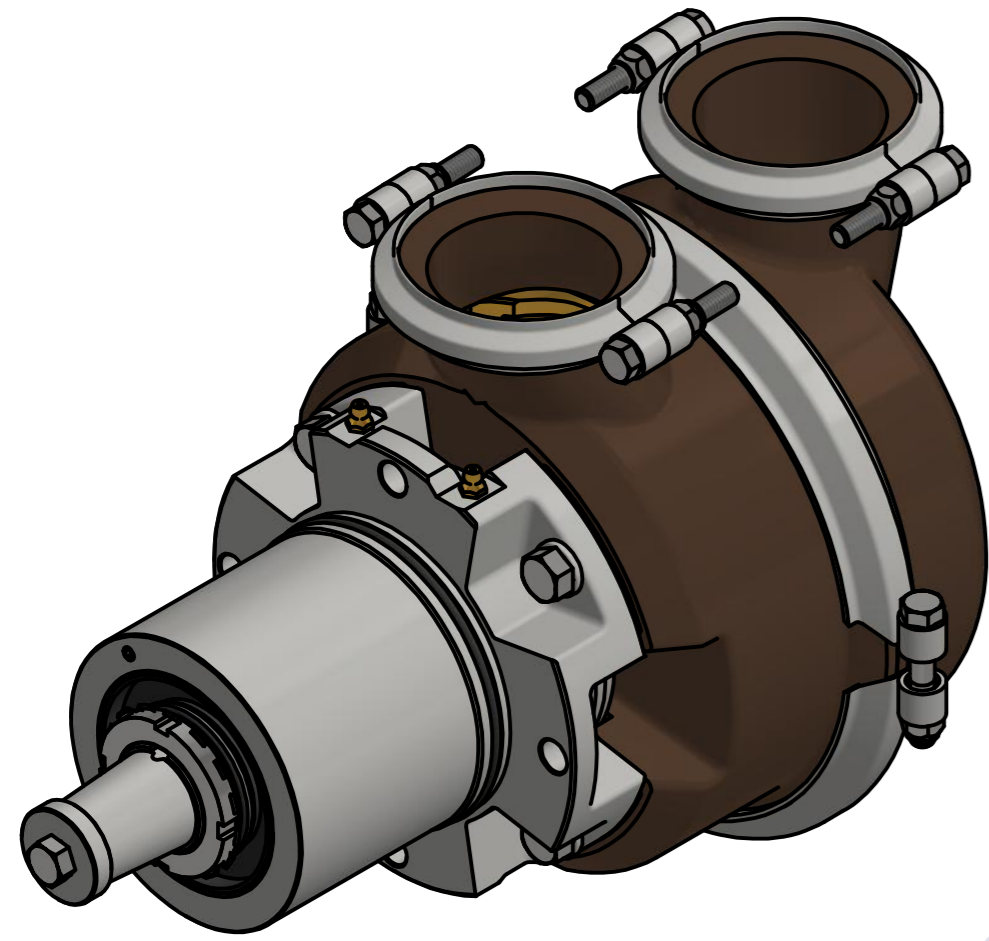


# JPR-C1900

부품 리스트					
항목	수량	부품번호	주제	재질	설명
1	1	PUA006402	PUMP ASSY		JPR-C1900



Drawing by C.H HWANG	Checked by C.I. JEON	Approved by - date	Model Name JPR-C1900	Date 2020-09-21	Scale 0.4:1
		PUMP ASSY		Edition 0	Sheet A2
		PART NUMBER PUA006402(0)			

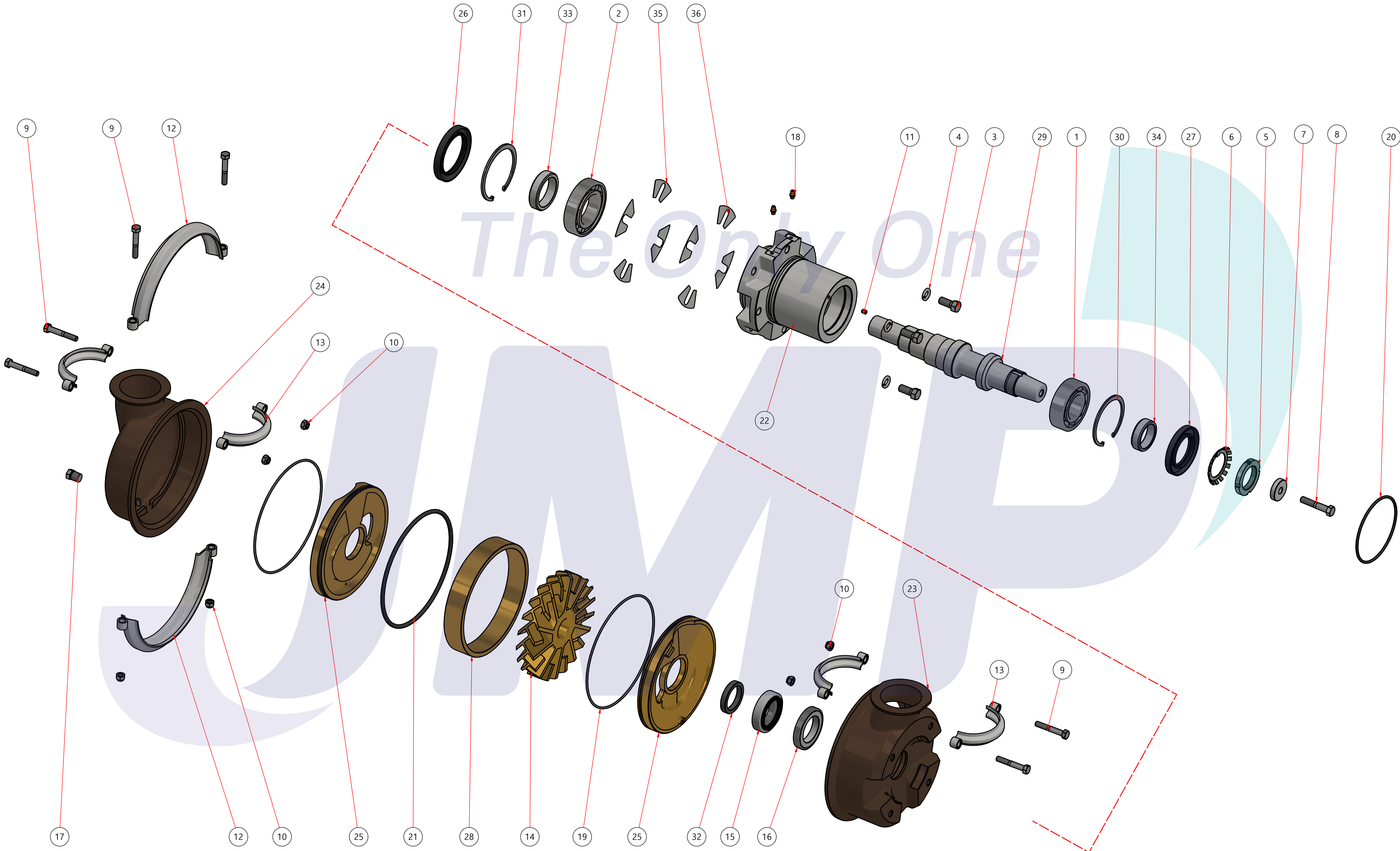
품번	PUA006402
품명	JPR-C1900

A: MAJOR KIT B: M-SEAL KIT C: M-SEAL SET D: PORT PIECE E: IMPELLER F: CLAMP(L) G: CLAMP(S)

No.	QTY	PART NUMBER	PART NAME	A (JSK0122)	B (JMK0001)	C (MCSSET0009)	D (PORT001G)	E (JIMP002601)	F (CLP0100)	G (CLP0101)
1	1	BER0037	BEARING	X						
2	1	BER0038	BEARING	X						
3	4	BOL0082	HEX BOLT							
4	4	BOL0083	SPRING WASHER							
5	1	BOL011001	SLOTTED NUT	X						
6	1	BOL0111	LOCK WASHER	X						
7	1	BOL0112	FLAT WASHER	X						
8	1	BOL011301	HEX BOLT	X						
9	6	BOL0114	HEX BOLT						X (2)	X (2)
10	6	BOL0115	NUT						X (2)	X (2)
11	1	BOL0117	SET SCREW	X						
12	2	CLP0001	CLAMP (L)						X	
13	4	CLP0002	CLAMP (S)							X (2)
14	1	IMP002601	ALBC IMPELLER	X				X		
15	1	MCS0017	CARBON	X	X	X				
16	1	MCS0023	CERAMIC	X	X	X				
17	1	NIP0008	PLUG	X						
18	2	NIP0009	PIN GREASE	X						
19	2	ORG0023	O-RING	X			X			
20	1	ORG0024	O-RING	X						
21	1	ORG0029	O-RING	X	X					
22	1	PBC010801	PUMP CASING / BER1							
23	1	PBC0110	PUMP CASING / IMP1							
24	1	PBC0111	PUMP CASING / IMP2							
25	2	PORT001	PORT PIECE	X			X			
26	1	RET0020	RETAINER	X	X					
27	1	RET0022	RETAINER	X	X					
28	1	RIG0002	DISTANCE RING	X						
29	1	SHA0054	SHAFT	X						
30	1	SNP0016	SNAP-RING	X						
31	1	SNP0018	SNAP-RING	X						
32	1	SPC0003	SPACER	X	X					
33	1	SPC0005	SPACER	X						
34	1	SPC0009	SPACER	X						
35	4	SPC0010	SHIM	X (2)						
36	4	SPC0011	SHIM	X (2)						



PART LIST					
No.	QTY	PART NUMBER	PART NAME	MAT	DESCRIPTION
1	1	PUA006402	PUMP ASSY		JPR-C1900



Drawing by	Checked by	Approved by - date	Model Name	Date	Scale
강 명진	Y.D. JEON		JPR-C1900	2014-02-26	1 : 1
			<b>PUMP PART'S VIEW</b>		
PART NUMBER		Edition	Sheet		
PUA006402(0)		0	A1		