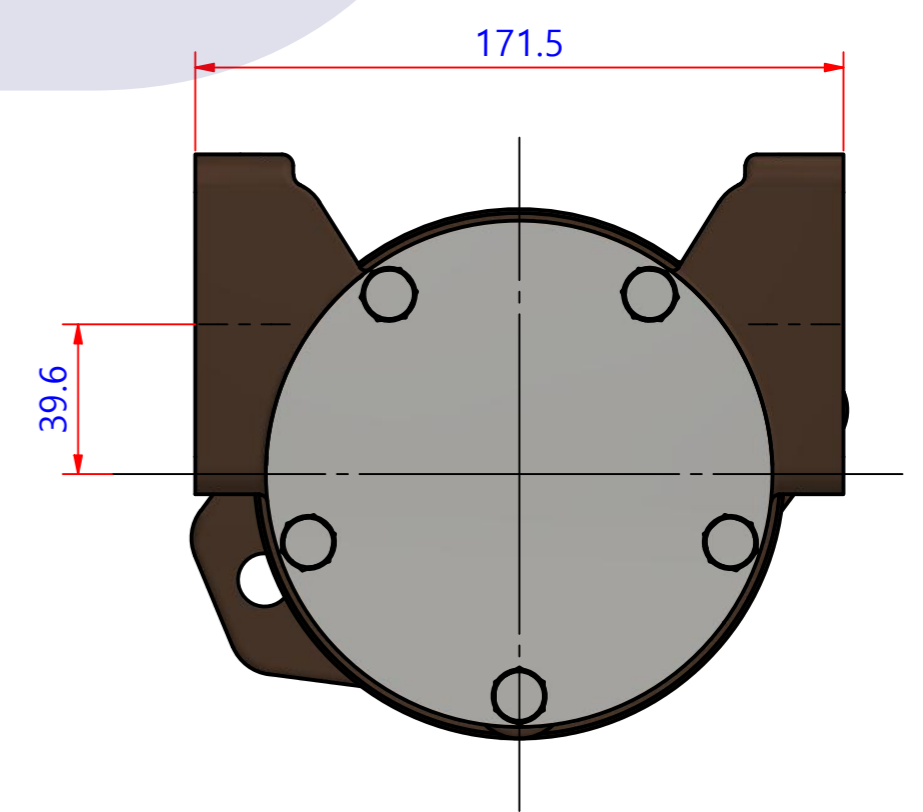
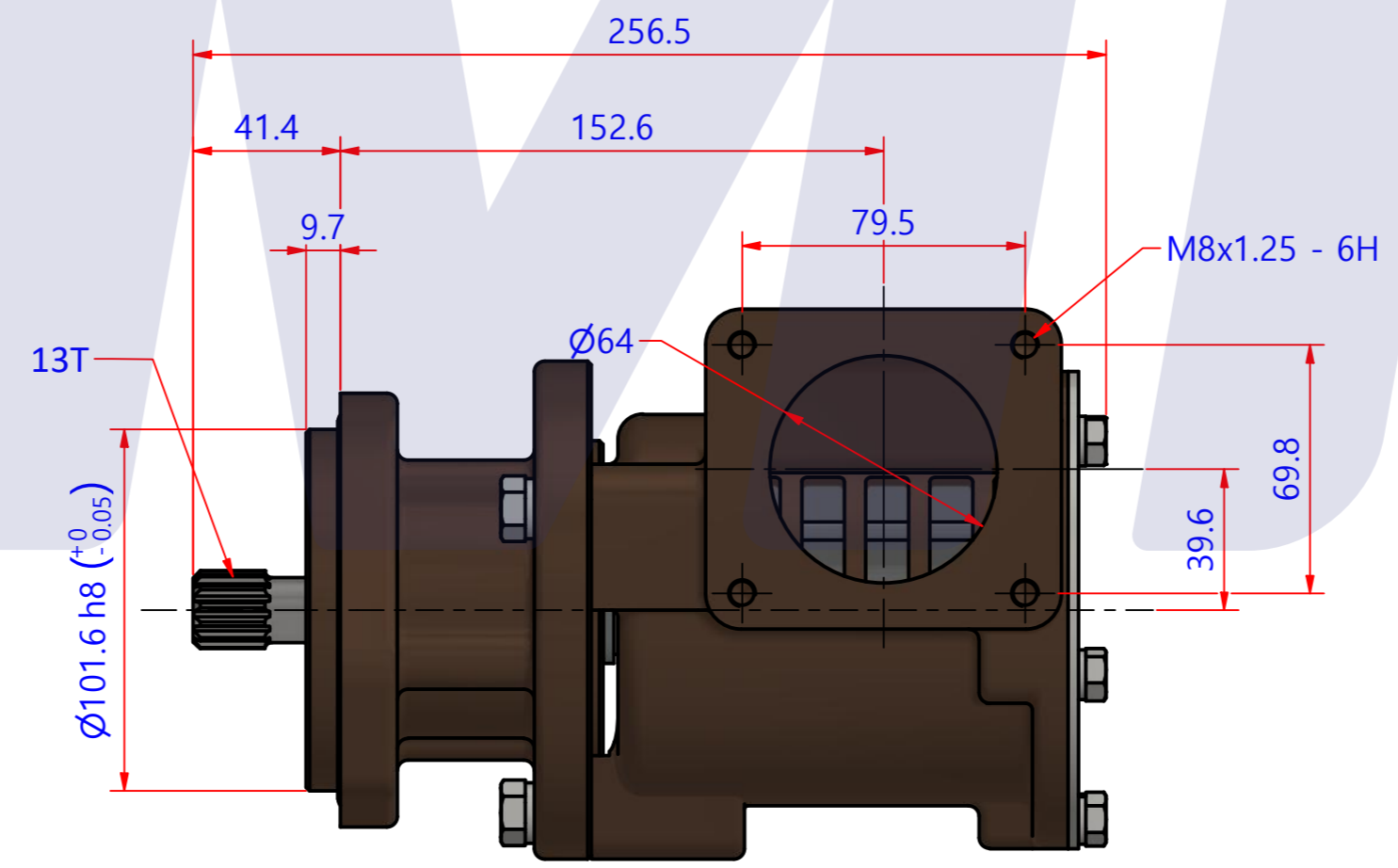
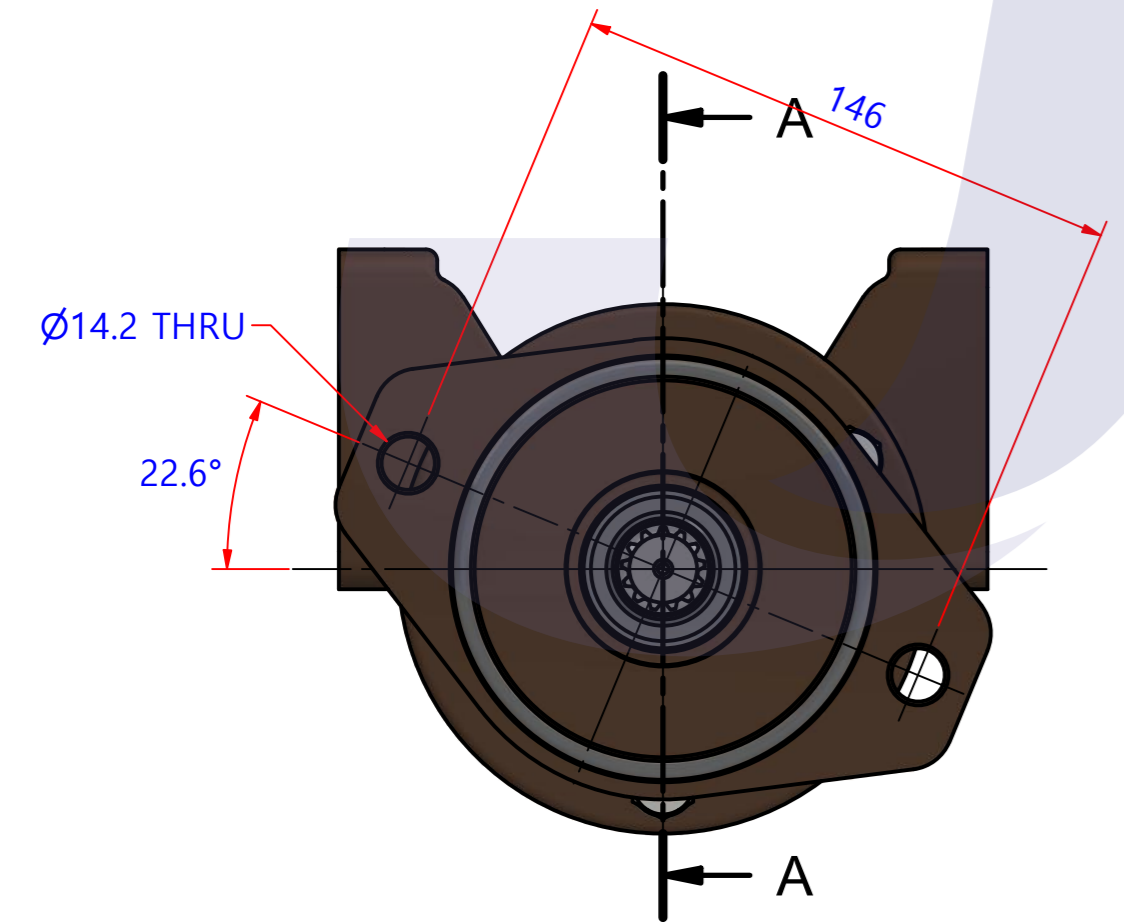
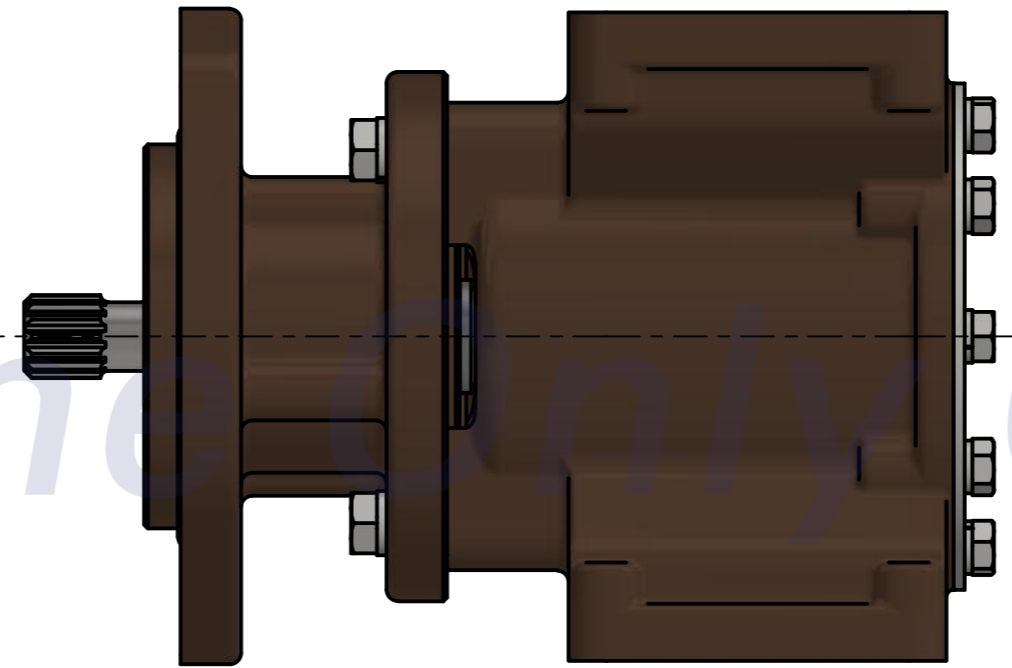
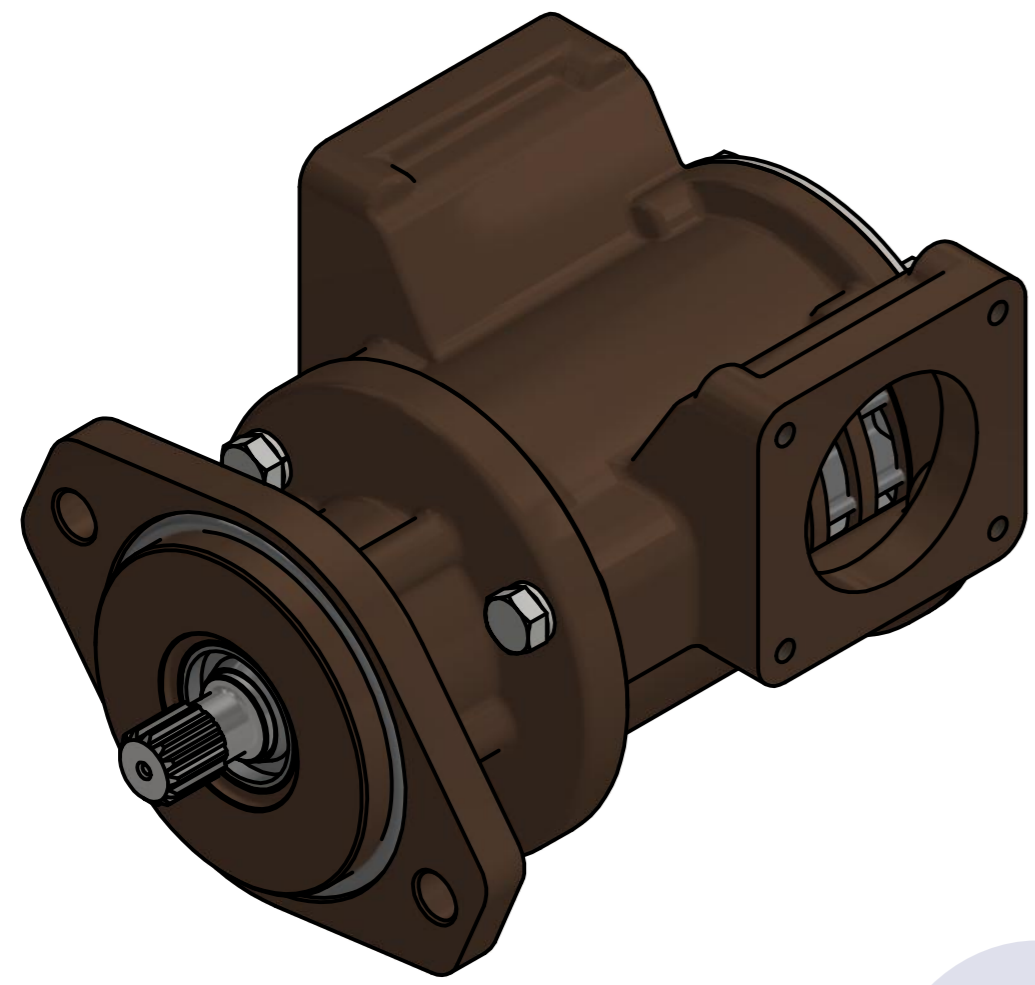


| 부품 리스트 |    |         |           |    |           |
|--------|----|---------|-----------|----|-----------|
| 항목     | 수량 | 부품번호    | 주제        | 재질 | 설명        |
| 1      | 1  | PUA0095 | PUMP ASSY |    | JPR-C1100 |



**JPR-C1100**

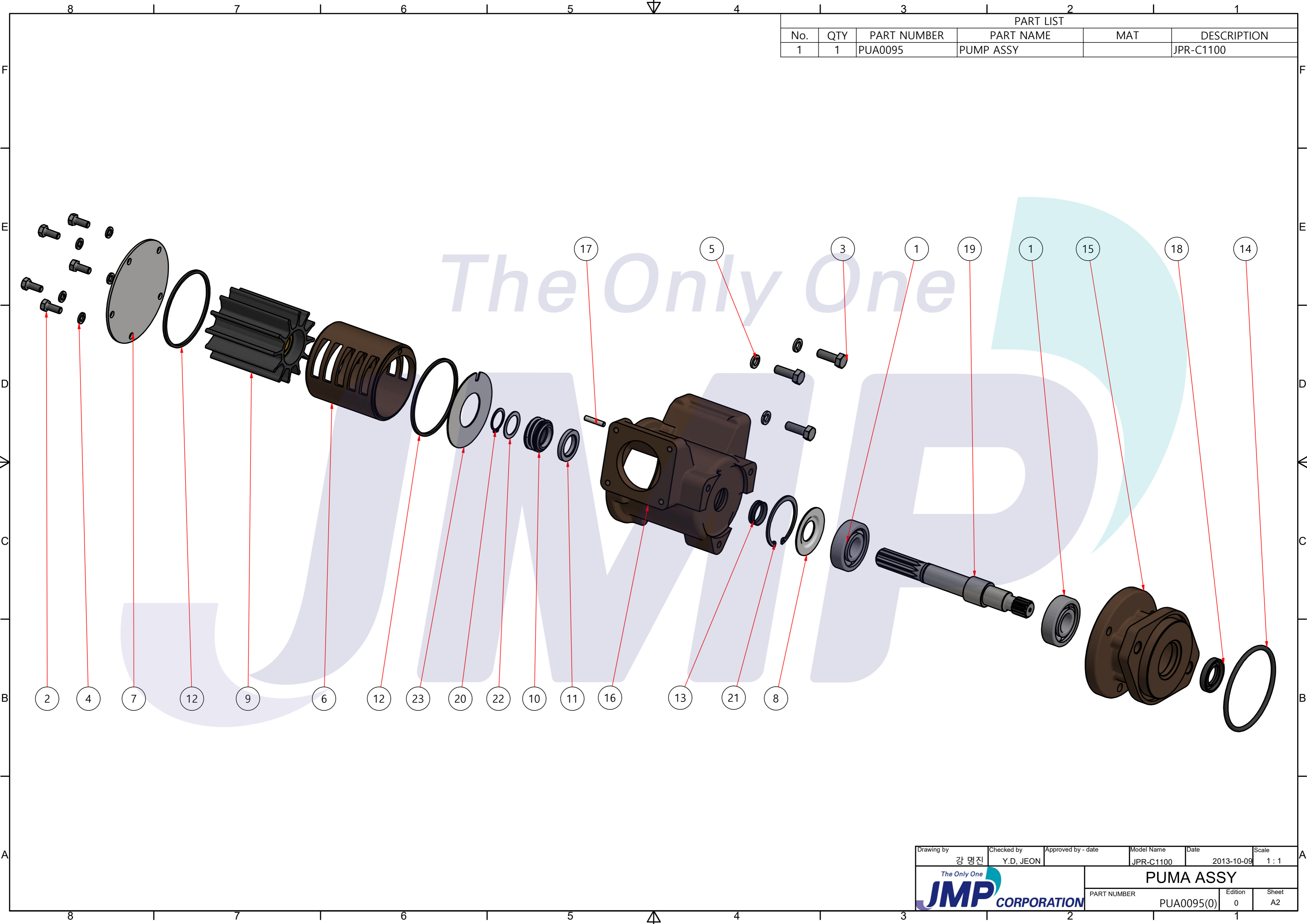
|            |            |                    |             |            |       |
|------------|------------|--------------------|-------------|------------|-------|
| Drawing by | Checked by | Approved by - date | Model Name  | Date       | Scale |
| 강 명진       | Y.D. JEON  |                    | JPR-C1100   | 2013-09-26 | 1 : 1 |
|            |            |                    | PUMA ASSY   |            |       |
|            |            |                    | PART NUMBER | Edition    | Sheet |
|            |            |                    | PUA0095(0)  | 0          | A2    |

|     |           |
|-----|-----------|
| 품 번 | PUA0095   |
| 품 명 | JPR-C1100 |

A: MAJOR KIT B: MINOR KIT C: CAM SET D: M-SEAL SET E: IMPELLER KIT

| No. | QTY | PART NUMBER | PART NAME         | A<br>(JSK0080) | B<br>(JSM0023) | C<br>(CAMSET0032) | D<br>(MCSSET0019) | E<br>(JIKJMP049) |
|-----|-----|-------------|-------------------|----------------|----------------|-------------------|-------------------|------------------|
| 1   | 2   | BER0052     | BEARING           | X              |                |                   |                   |                  |
| 2   | 5   | BOL0007     | HEX BOLT          | X              | X              |                   |                   |                  |
| 3   | 3   | BOL0012     | HEX BOLT          |                |                |                   |                   |                  |
| 4   | 5   | BOL0036     | SPRING WASHER     | X              | X              |                   |                   |                  |
| 5   | 3   | BOL0038     | SPRING WASHER     |                |                |                   |                   |                  |
| 6   | 1   | CAM0032     | CAM               | X              | X              | X                 |                   |                  |
| 7   | 1   | COV0038     | COVER             | X              | X              |                   |                   |                  |
| 8   | 1   | COV0041     | BER COVER         | X              |                |                   |                   |                  |
| 9   | 1   | 8359-01     | RUBBER IMPELLER   | X              | X              |                   |                   | X                |
| 10  | 1   | MCS0037     | CARBON            | X              | X              |                   | X                 |                  |
| 11  | 1   | MCS003701   | CERAMIC           | X              | X              |                   | X                 |                  |
| 12  | 2   | ORG0043     | QUAD-RING         | X              | X              | X (1)             |                   | X (1)            |
| 13  | 1   | ORG0054     | V-RING            | X              |                |                   |                   |                  |
| 14  | 1   | ORG0055     | O-RING            | X              |                |                   |                   |                  |
| 15  | 1   | PBC0165     | PUMP CASING / BER |                |                |                   |                   |                  |
| 16  | 1   | PBC0166     | PUMP CASING / IMP |                |                |                   |                   |                  |
| 17  | 1   | PIN0007     | PIN               |                |                |                   |                   |                  |
| 18  | 1   | RET0042     | RETAINER          | X              |                |                   |                   |                  |
| 19  | 1   | SHA0093     | SHAFT             | X              |                |                   |                   |                  |
| 20  | 1   | SNP0008     | SNAP-RING         | X              | X              |                   | X                 |                  |
| 21  | 1   | SNP0013     | SNAP-RING         | X              |                |                   |                   |                  |
| 22  | 1   | SPC0012     | SHIM              | X              | X              |                   | X                 |                  |
| 23  | 1   | WER0020     | WEAR PLATE        | X              | X              |                   |                   |                  |

| PART LIST |     |             |           |     |             |
|-----------|-----|-------------|-----------|-----|-------------|
| No.       | QTY | PART NUMBER | PART NAME | MAT | DESCRIPTION |
| 1         | 1   | PUA0095     | PUMP ASSY |     | JPR-C1100   |



|                    |                         |                    |                           |                    |                |
|--------------------|-------------------------|--------------------|---------------------------|--------------------|----------------|
| Drawing by<br>강 명진 | Checked by<br>Y.D. JEON | Approved by - date | Model Name<br>JPR-C1100   | Date<br>2013-10-09 | Scale<br>1 : 1 |
|                    |                         |                    | PUMA ASSY                 |                    |                |
|                    |                         |                    | PART NUMBER<br>PUA0095(0) | Edition<br>0       | Sheet<br>A2    |