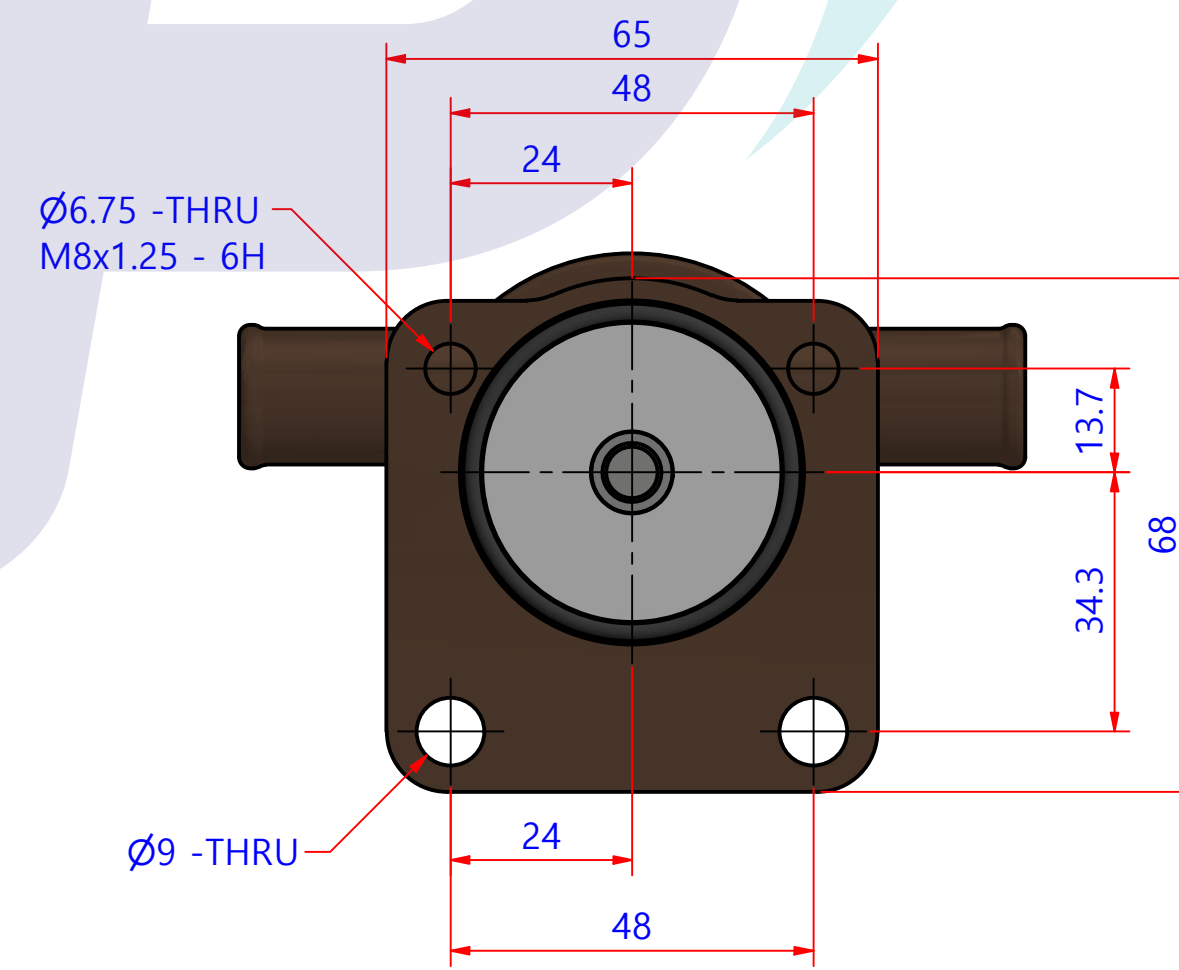
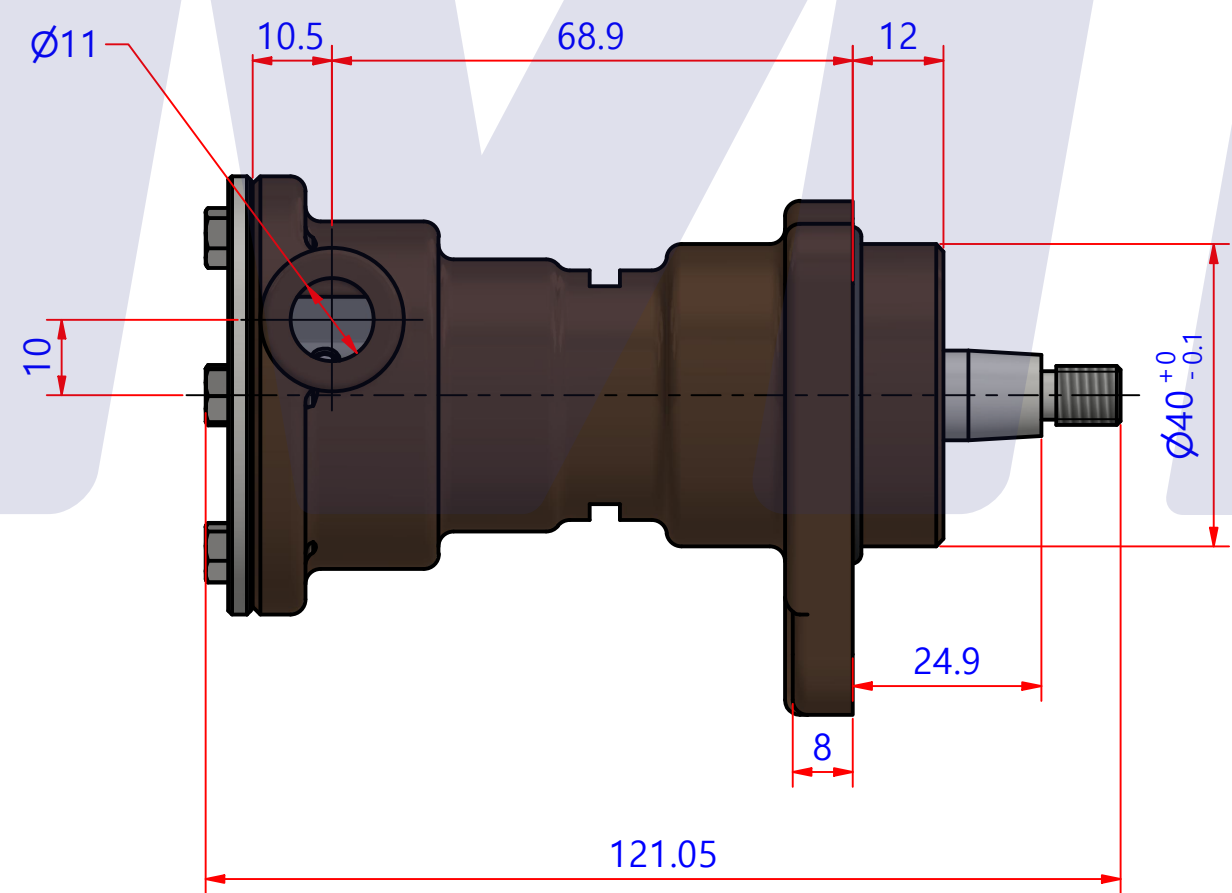
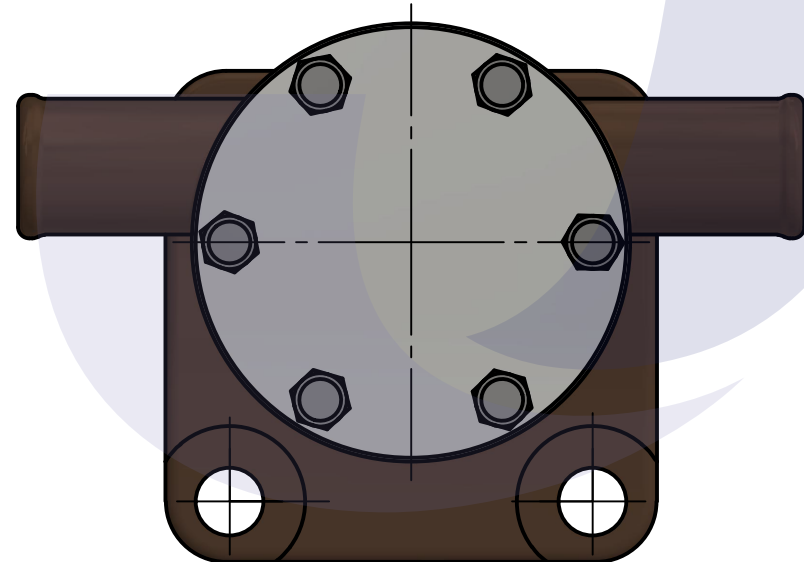
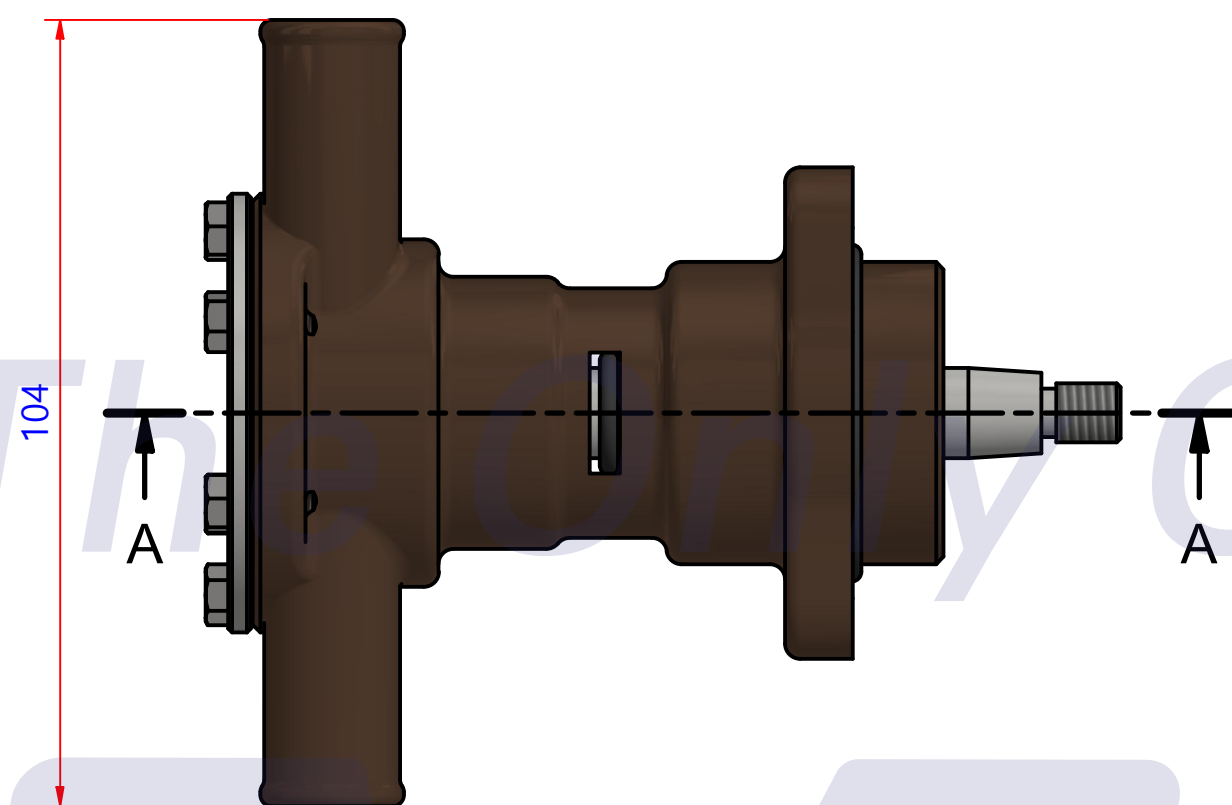
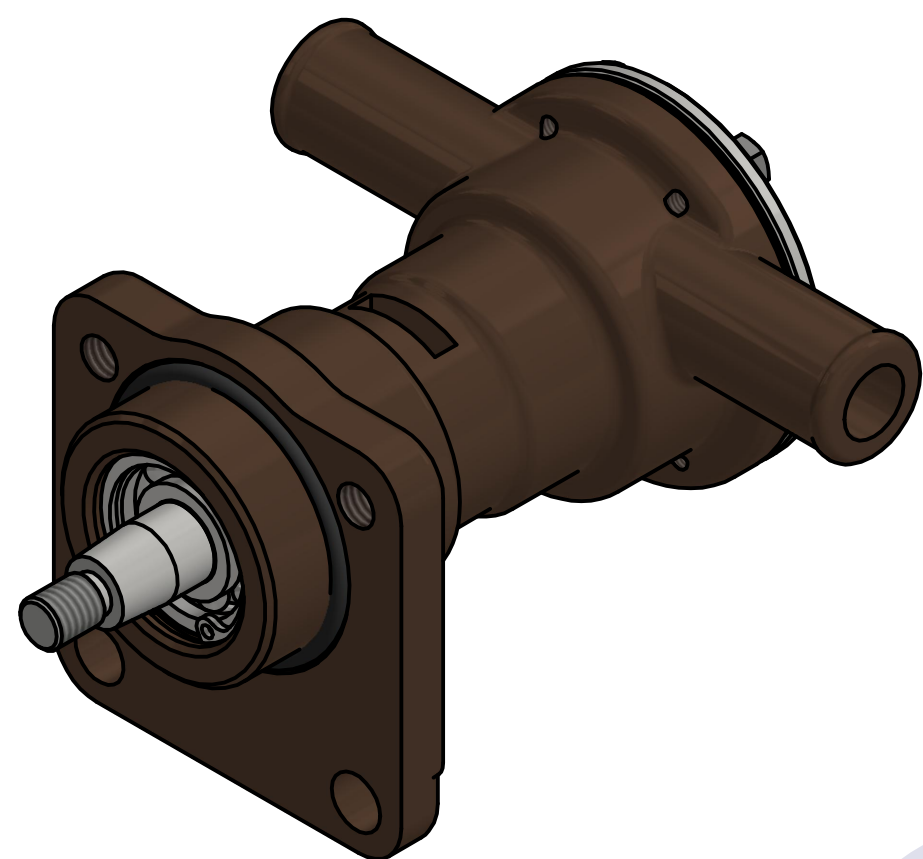


JPR-PK10IH

PART LIST					
No.	QTY	PART NUMBER	PART NAME	MAT	DESCRIPTION
1	1	PUA0093	PUMP ASSY		JPR-PK10IH

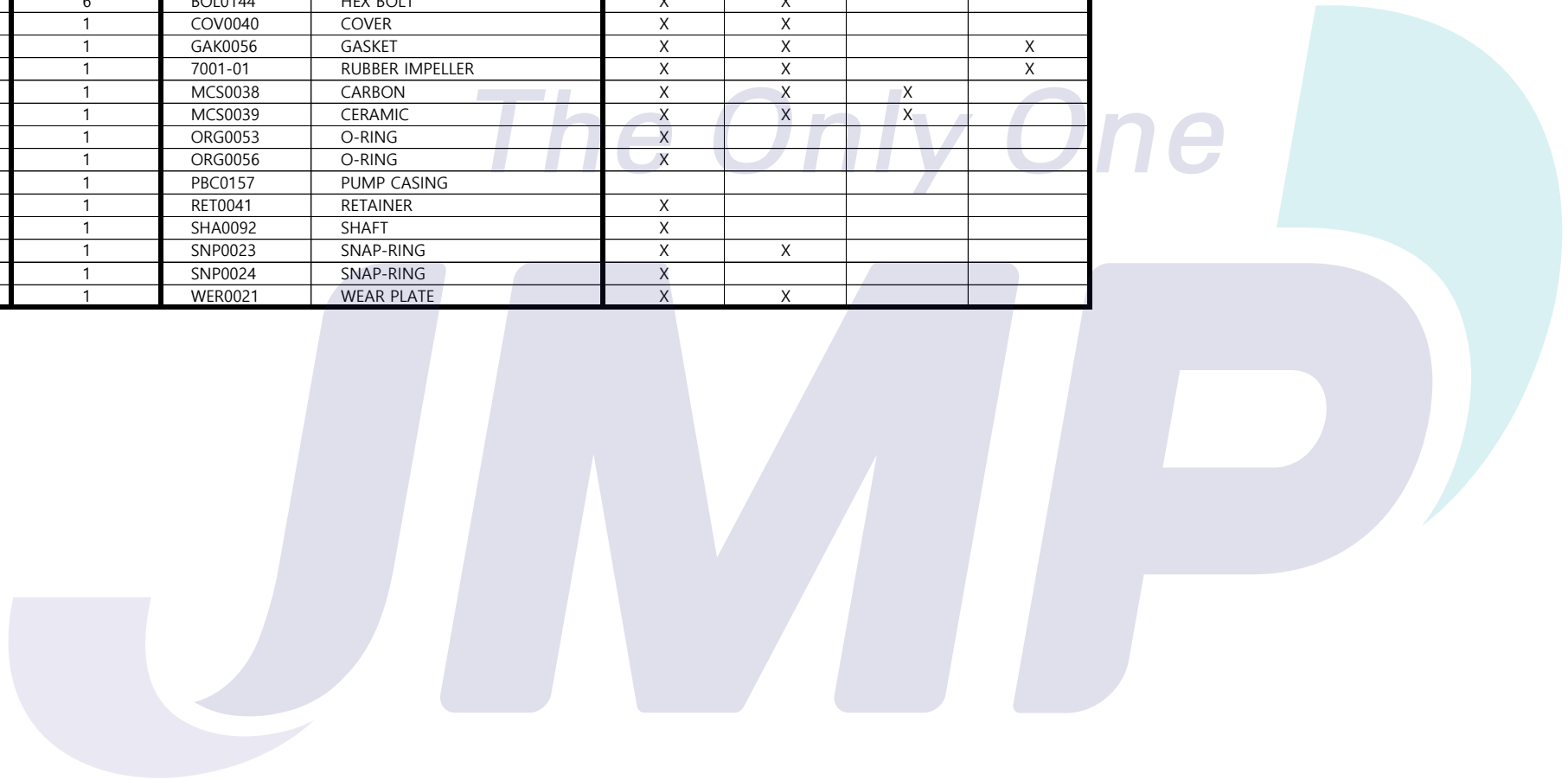


Drawing by	Checked by	Approved by - date	Model Name	Date	Scale
강 명진	Y.D. JEON		JPR-PK10IH	2013-07-15	1 : 1
			PUMP ASSY"		
			PART NUMBER	Edition	Sheet
			PUA0093(0)	0	A2

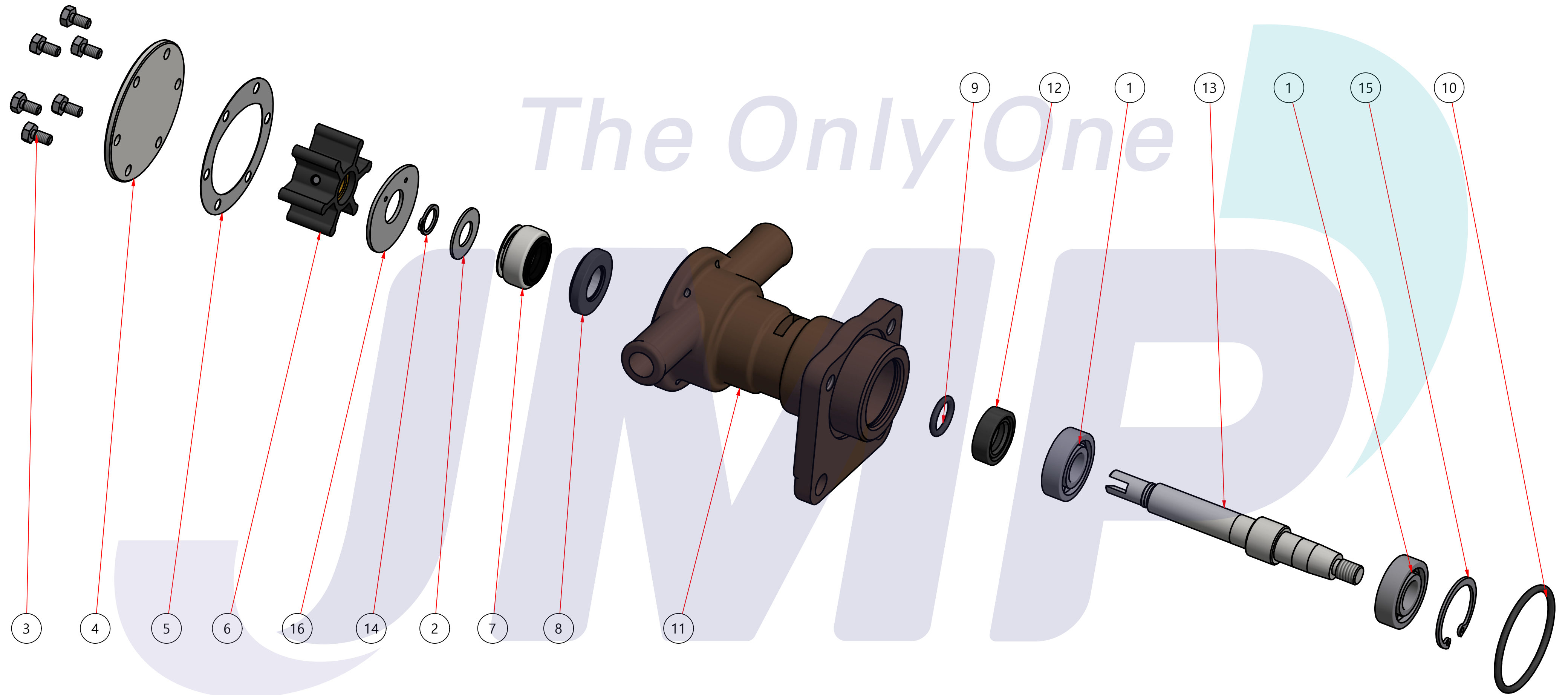
품 번	PUA0093
품 명	JPR-PK10IH


A: MAJOR KIT B: MINOR KIT C: M-SEAL SET D: IMPELLER KIT

No.	QTY	PART NUMBER	PART NAME	A (JSK0083)	B (JSM0093)	C (MCSSET0018)	D (JIKJMP003)
1	2	BER0048	BEARING	X			
2	1	BOL0033	FLAT WASHER	X	X		
3	6	BOL0144	HEX BOLT	X	X		
4	1	COV0040	COVER	X	X		
5	1	GAK0056	GASKET	X	X		X
6	1	7001-01	RUBBER IMPELLER	X	X		X
7	1	MCS0038	CARBON	X	X	X	
8	1	MCS0039	CERAMIC	X	X	X	
9	1	ORG0053	O-RING	X			
10	1	ORG0056	O-RING	X			
11	1	PBC0157	PUMP CASING				
12	1	RET0041	RETAINER	X			
13	1	SHA0092	SHAFT	X			
14	1	SNP0023	SNAP-RING	X	X		
15	1	SNP0024	SNAP-RING	X			
16	1	WER0021	WEAR PLATE	X	X		



PART LIST					
No.	QTY	PART NUMBER	PART NAME	MAT	DESCRIPTION
1	1	PUA0093	PUMP ASSY		JPR-PK10IH



Drawing by 강 명진	Checked by Y.D. JEON	Approved by - date	Model Name JPR-PK10IH	Date 2013-11-25	Scale 1:1
			PUMP PART'S VIEW		
			PART NUMBER PUA0093(0)	Edition 0	Sheet A2