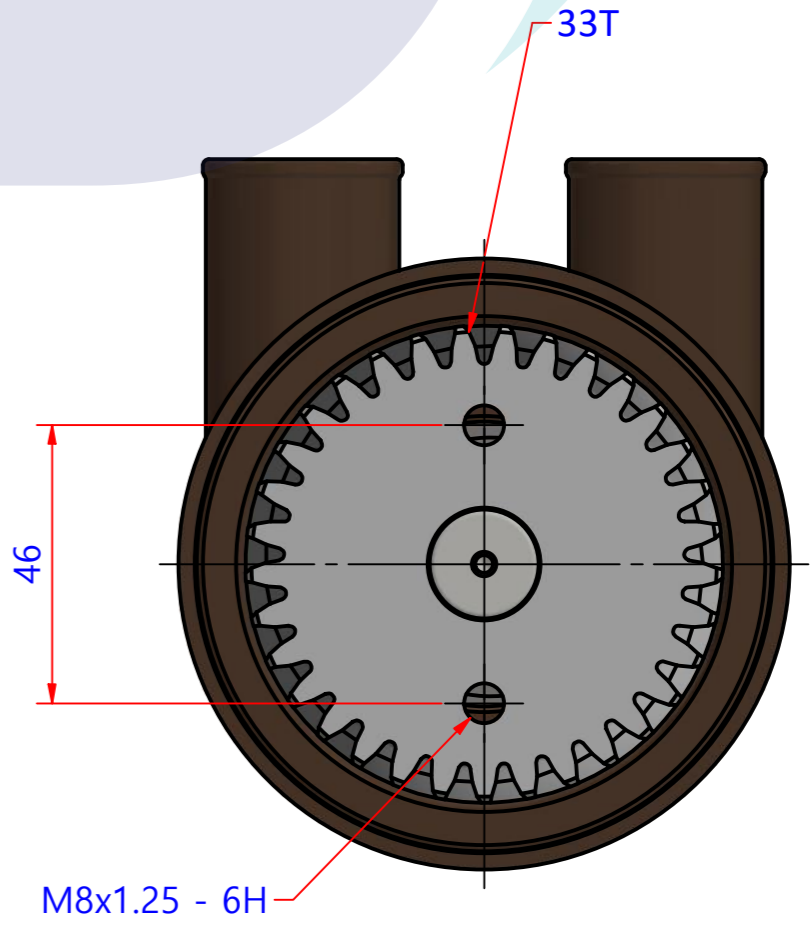
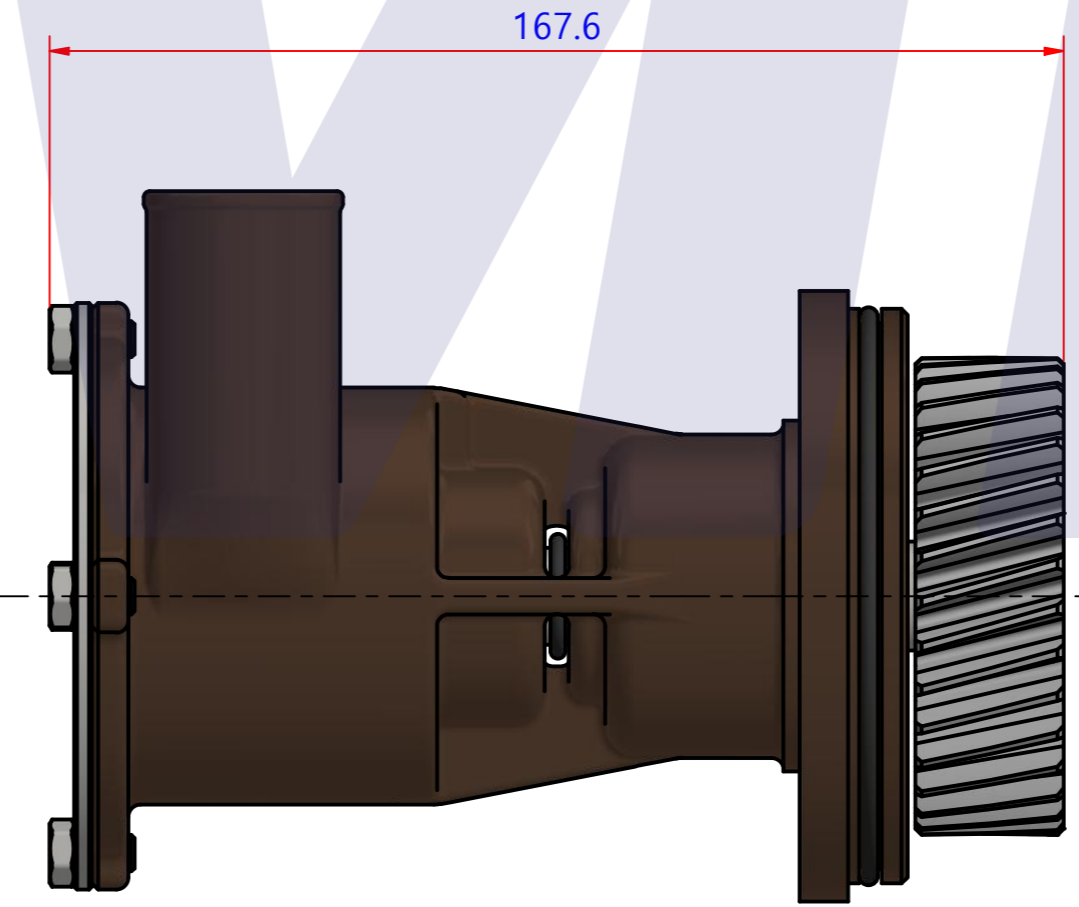
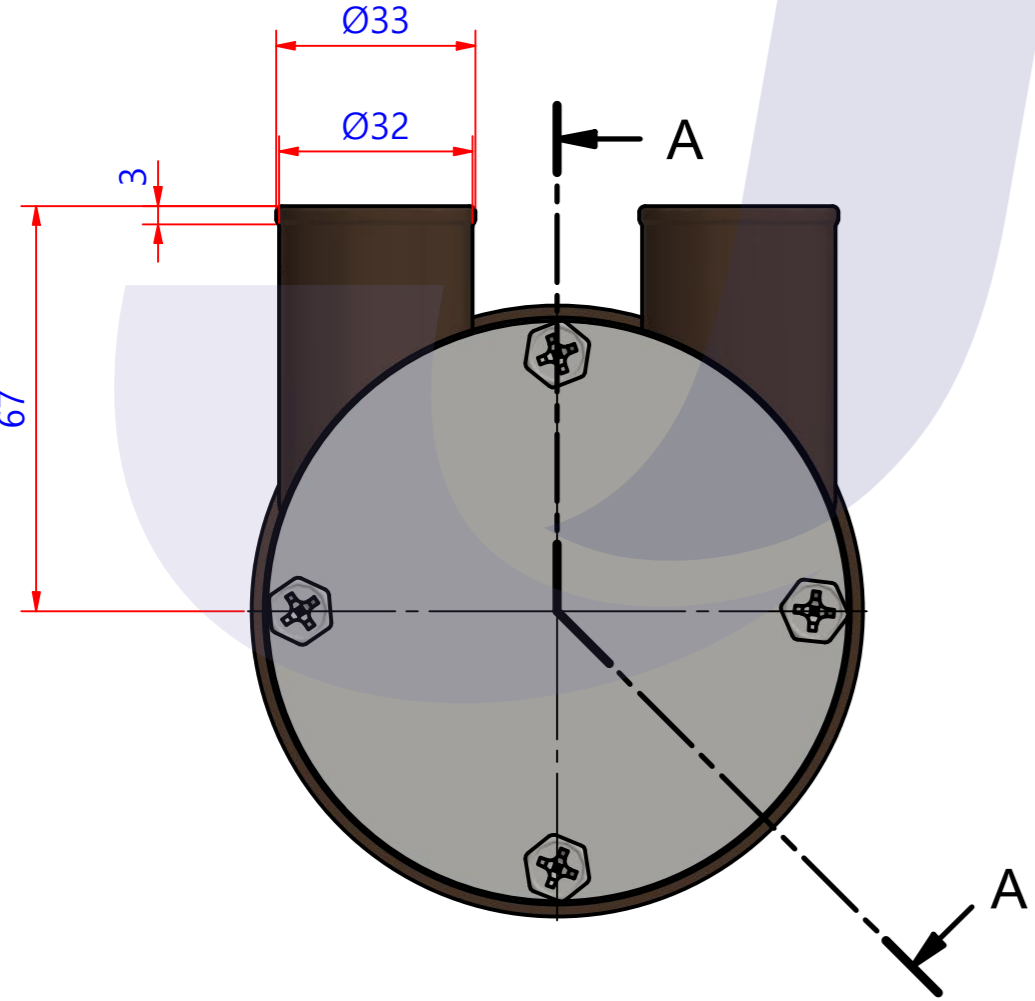
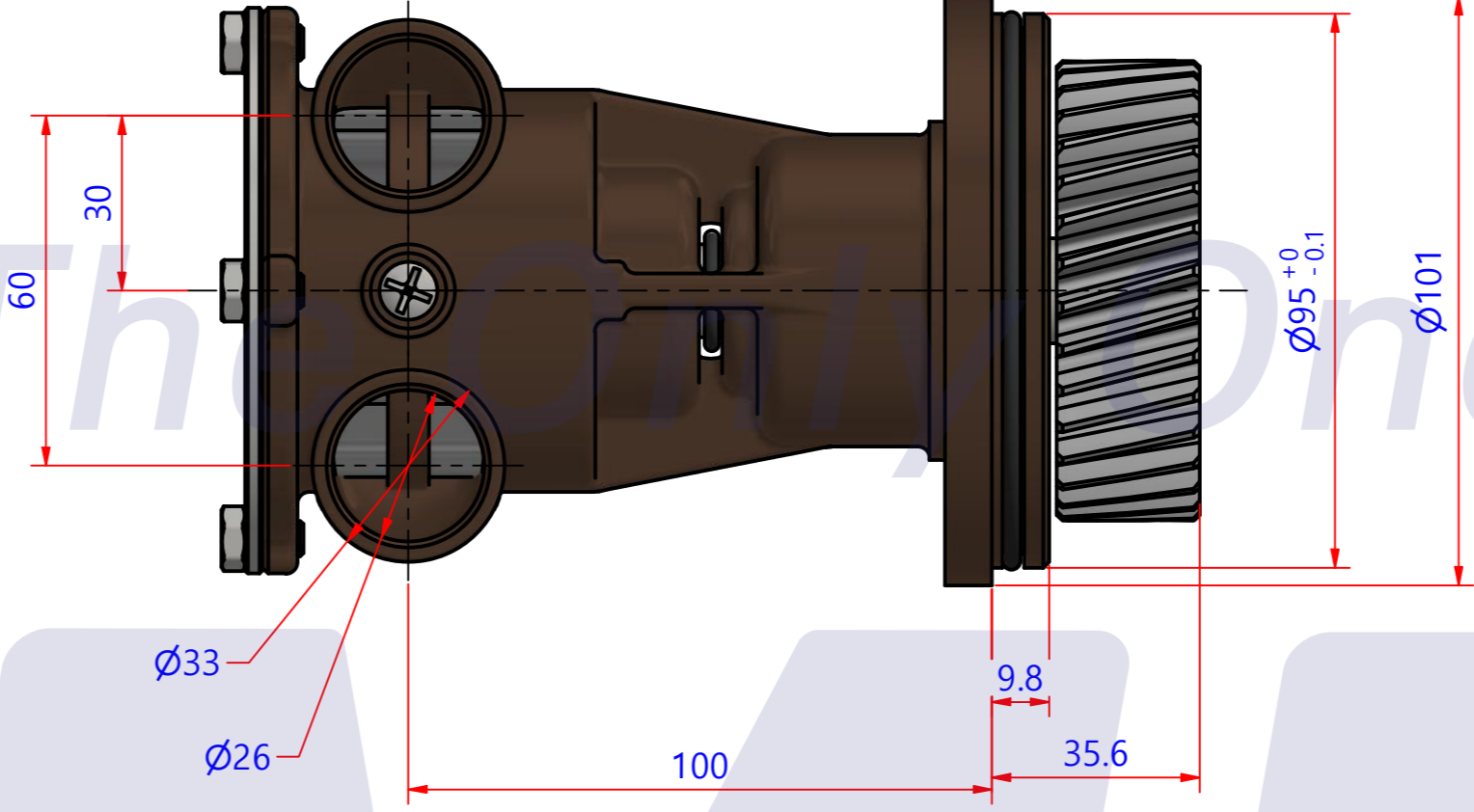
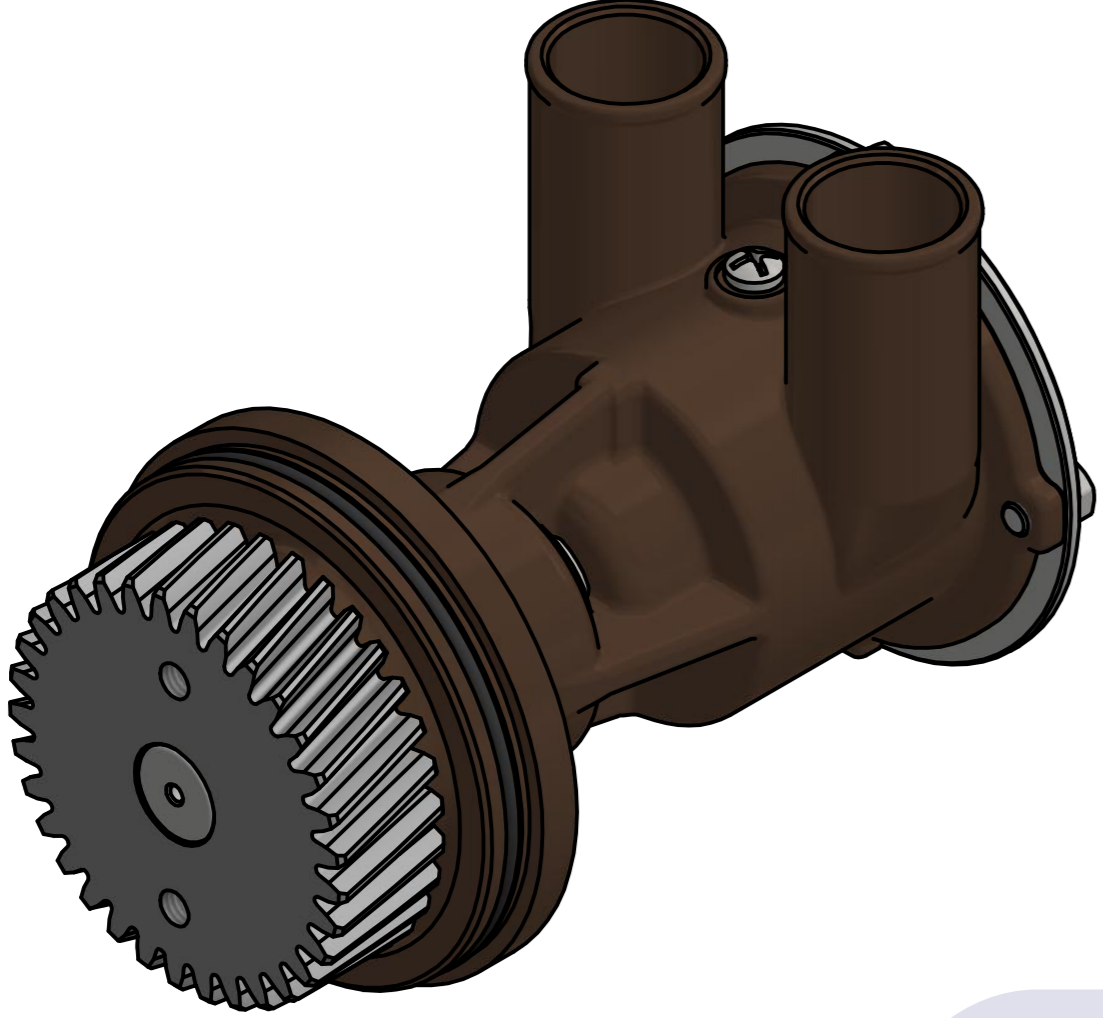


PART LIST					
No.	QTY	PART NUMBER	PART NAME	MAT	DESCRIPTION
1	1	PUA0175	PUMP ASSY		JPR-CT0440



**JPR-CT0440**

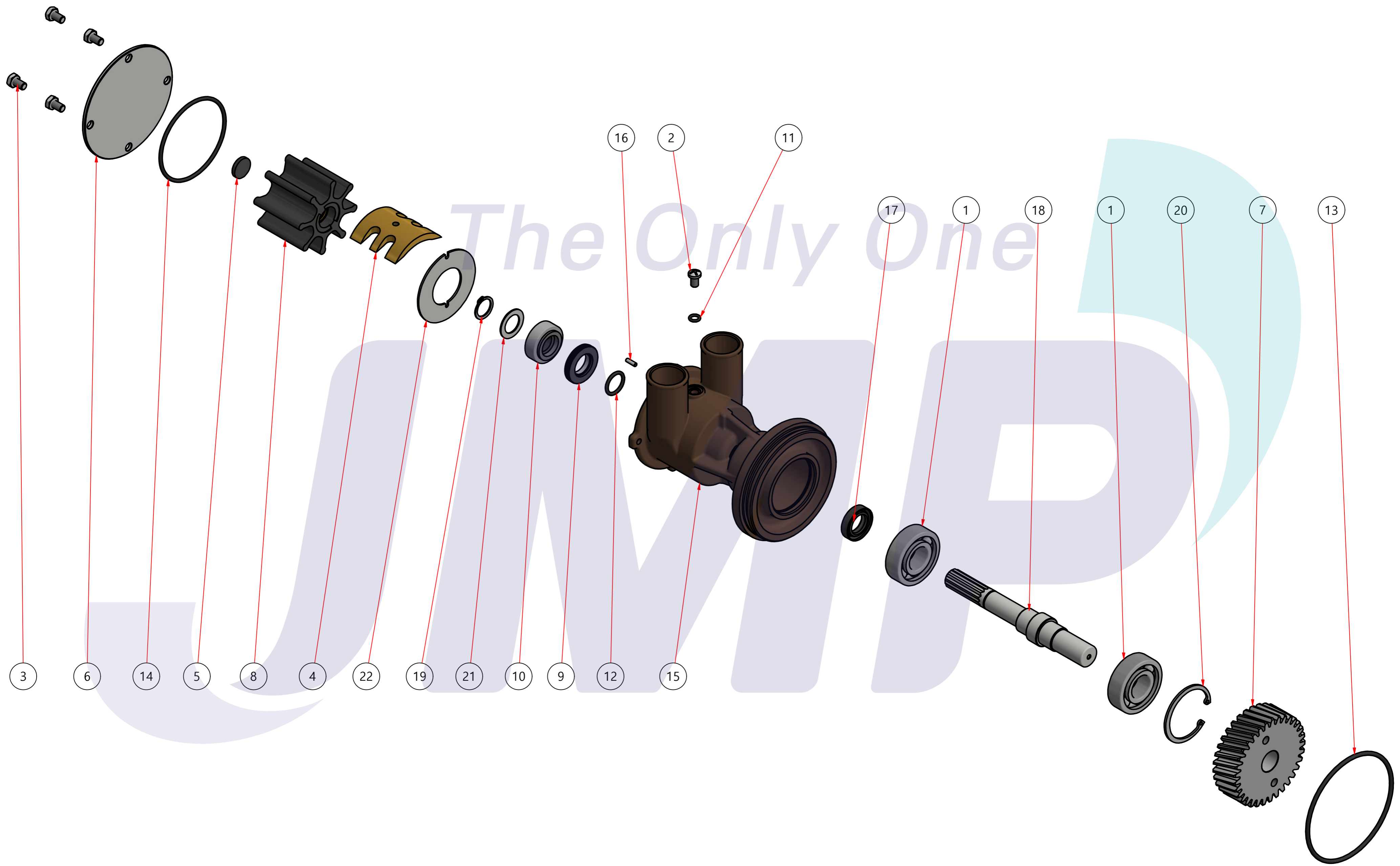
Drawing by M.J.KANG	Checked by C.I. JEON	Approved by - date	Model Name JPR-CT0440	Date 2018-06-29	Scale 1:1
			PUMP ASSY		
			PART NUMBER PUA0175(0)	Edition 0	Sheet A2

품 번	PUA0175
품 명	JPR-CT0440

A: MAJOR KIT B: MINOR KIT C: CAM SET D: M-SEAL SET E: IMPELLER KIT

No.	QTY	PART NUMBER	PART NAME	A (JSK0143)	B (JSM0143)	C (CAMSET0039)	D (MCSSET0008)	E (JIKJMP024)
1	2	BER0035	BEARING	X				
2	1	BOL0002	SCREW	X		X		
3	4	BOL0080	HEX BOLT	X	X			
4	1	CAM0003	CAM	X	X	X		
5	1	CAP0002	IMP CAP					
6	1	COV0047	COVER	X	X			
7	1	GEA0035	GEAR					
8	1	7400-01	RUBBER IMPELLER	X	X			X
9	1	MCS0013	CERAMIC	X	X		X	
10	1	MCS0016	CARBON	X	X		X	
11	1	ORG0002	O-RING	X	X	X		
12	1	ORG0044	O-RING	X	X			
13	1	ORG0057	O-RING	X				
14	1	ORG0067	O-RING	X	X			X
15	1	PBC0269	PUMP CASING					
16	1	PIN0001	PIN					
17	1	RET0013	RETAINER	X				
18	1	SHA0158	SHAFT	X				
19	1	SNP0006	SNAP-RING	X	X			
20	1	SNP0010	SNAP-RING	X				
21	1	SPC0019	SPACER	X	X			
22	1	WER0029	WEAR PLATE	X	X			

PART LIST					
No.	QTY	PART NUMBER	PART NAME	MAT	DESCRIPTION
1	1	PUA0175	PUMP ASSY		JPR-CT0440



Drawing by	Checked by	Approved by - date	Model Name	Date	Scale
M.J.KANG	C.I. JEON		JPR-CT0440	2018-07-03	1:1
			PUMP PARTS VIEW		
			PART NUMBER	Edition	Sheet
			PUA0175(0)	0	A2