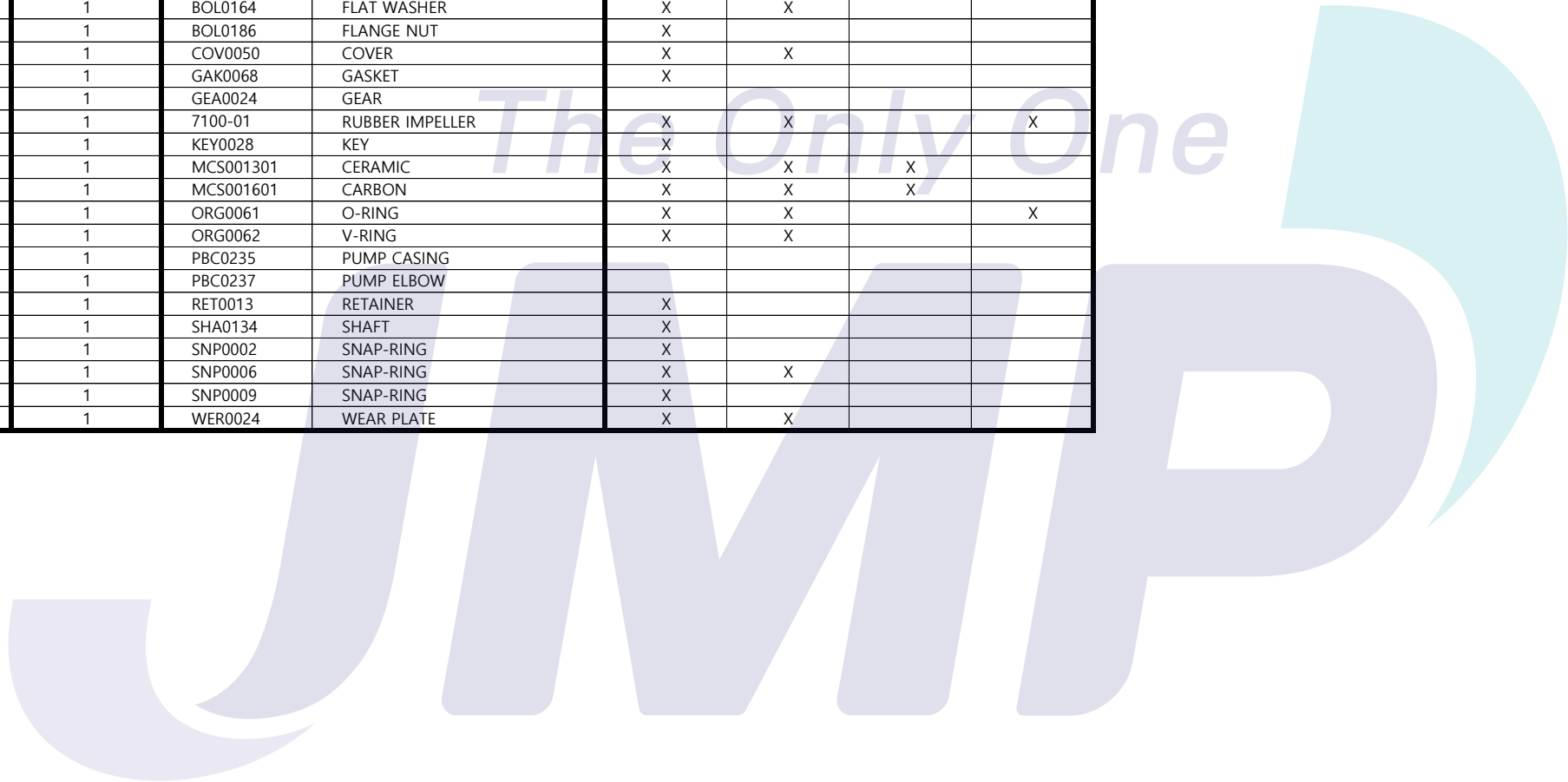


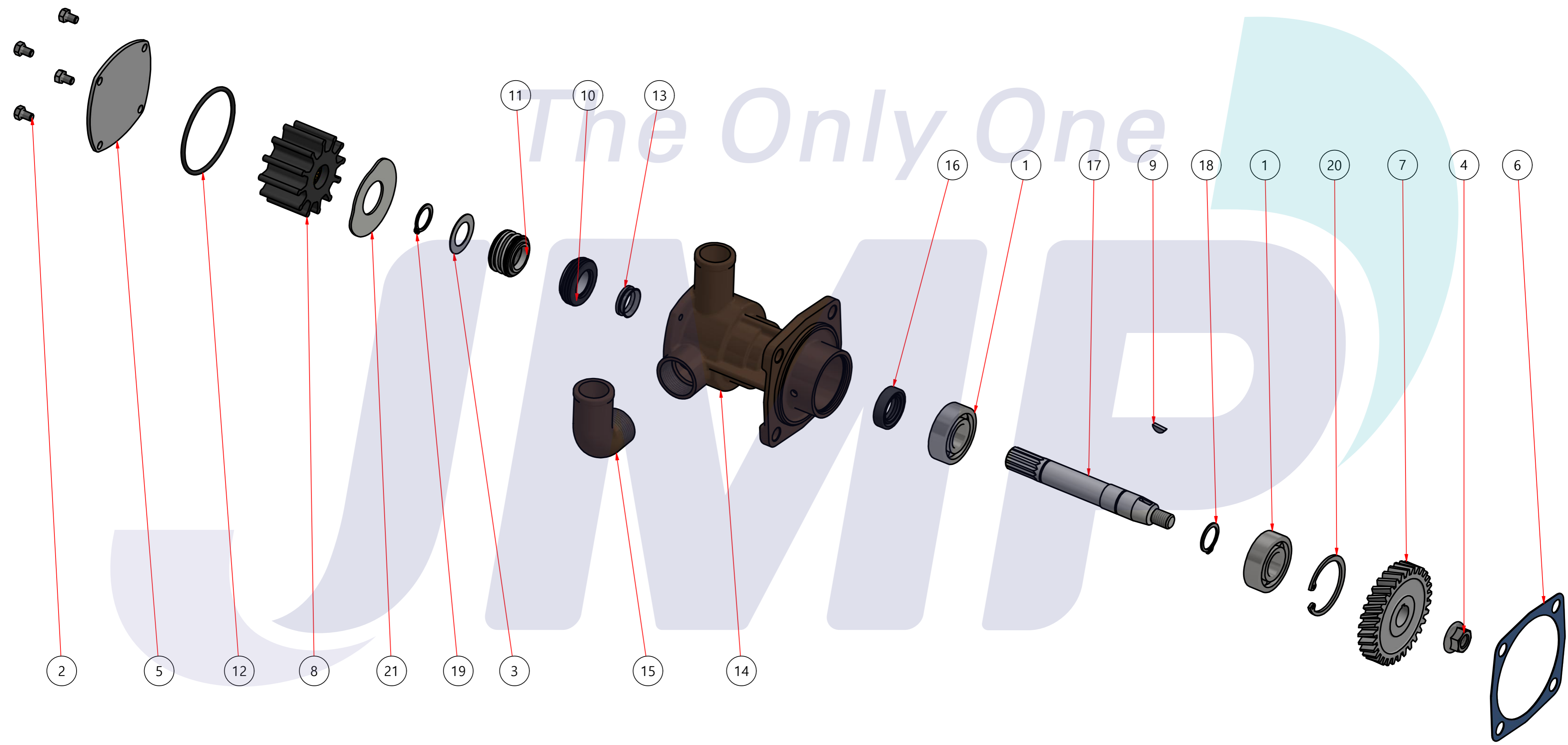
품번	PUA014201
품명	JPR-YM04JHA

A: MAJOR KIT B: MINOR KIT C: M-SEAL SET D: IMPELLER KIT

No.	QTY	PART NUMBER	PART NAME	A (JSK0130)	B (JSM0130)	C (MCSSET0001)	D (JIKJMP013)
1	2	BER0050	BEARING	X			
2	4	BOL0163	HEX BOLT	X	X		
3	1	BOL0164	FLAT WASHER	X	X		
4	1	BOL0186	FLANGE NUT	X			
5	1	COV0050	COVER	X	X		
6	1	GAK0068	GASKET	X			
7	1	GEA0024	GEAR				
8	1	7100-01	RUBBER IMPELLER	X	X		X
9	1	KEY0028	KEY	X			
10	1	MCS001301	CERAMIC	X	X	X	
11	1	MCS001601	CARBON	X	X	X	
12	1	ORG0061	O-RING	X	X		X
13	1	ORG0062	V-RING	X	X		
14	1	PBC0235	PUMP CASING				
15	1	PBC0237	PUMP ELBOW				
16	1	RET0013	RETAINER	X			
17	1	SHA0134	SHAFT	X			
18	1	SNP0002	SNAP-RING	X			
19	1	SNP0006	SNAP-RING	X	X		
20	1	SNP0009	SNAP-RING	X			
21	1	WER0024	WEAR PLATE	X	X		



PART LIST					
No.	QTY	PART NUMBER	PART NAME	MAT	DESCRIPTION
1	1	PUA014201	PUMP ASSY		JPR-YM04JHA



Drawing by	Checked by	Approved by - date	Model Name	Date	Scale
M.J.KANG	C.I. JEON		JPR-YM04JHA	2016-11-10	0.53:1
			PUMP PART'S VIEW		
			PART NUMBER	PUA014201(0)	Edition