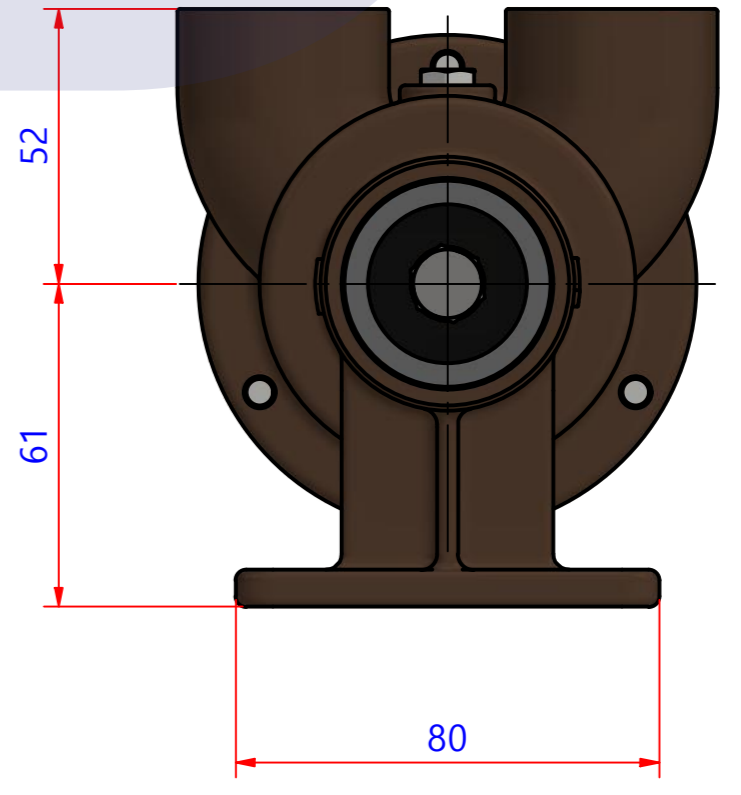
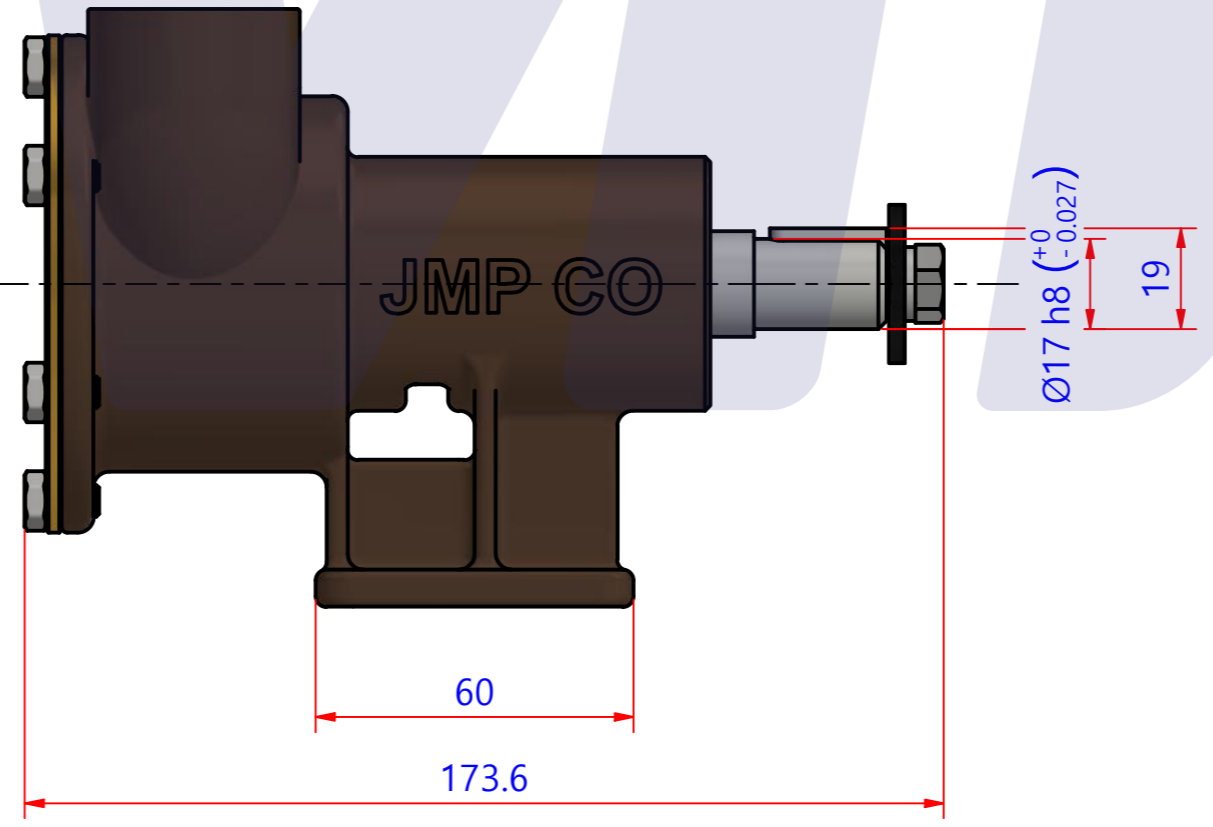
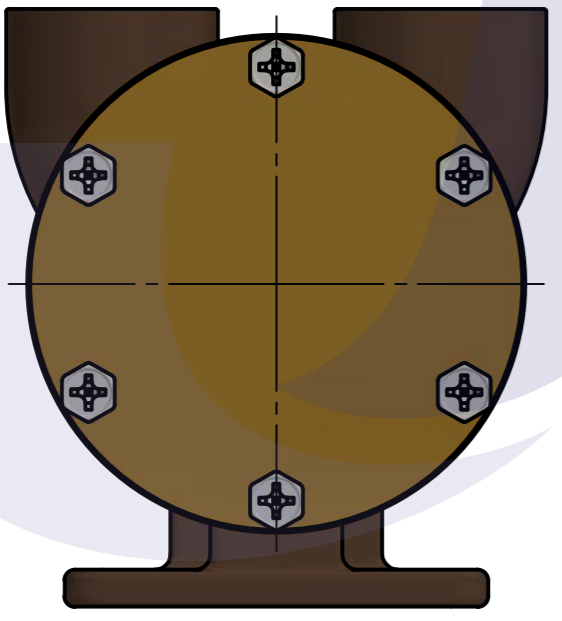
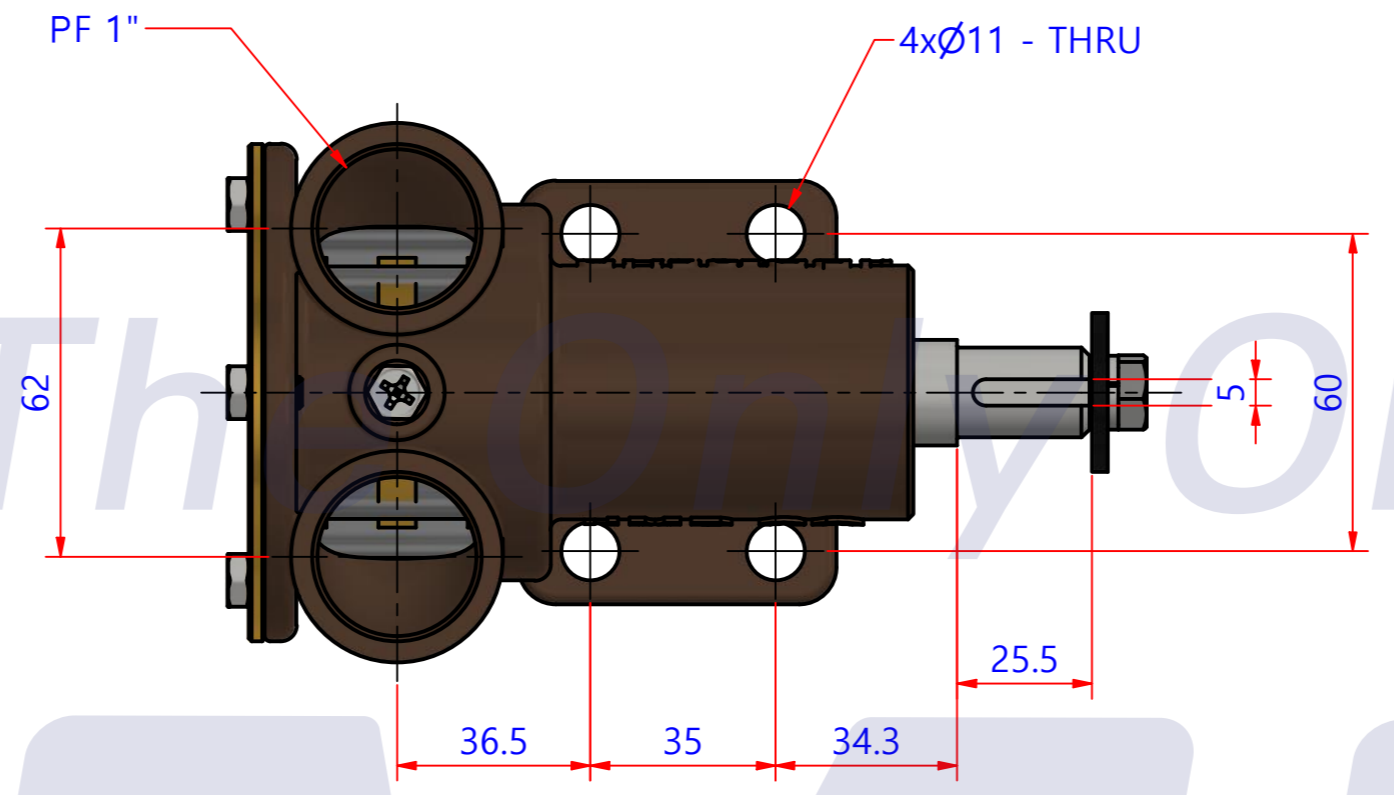
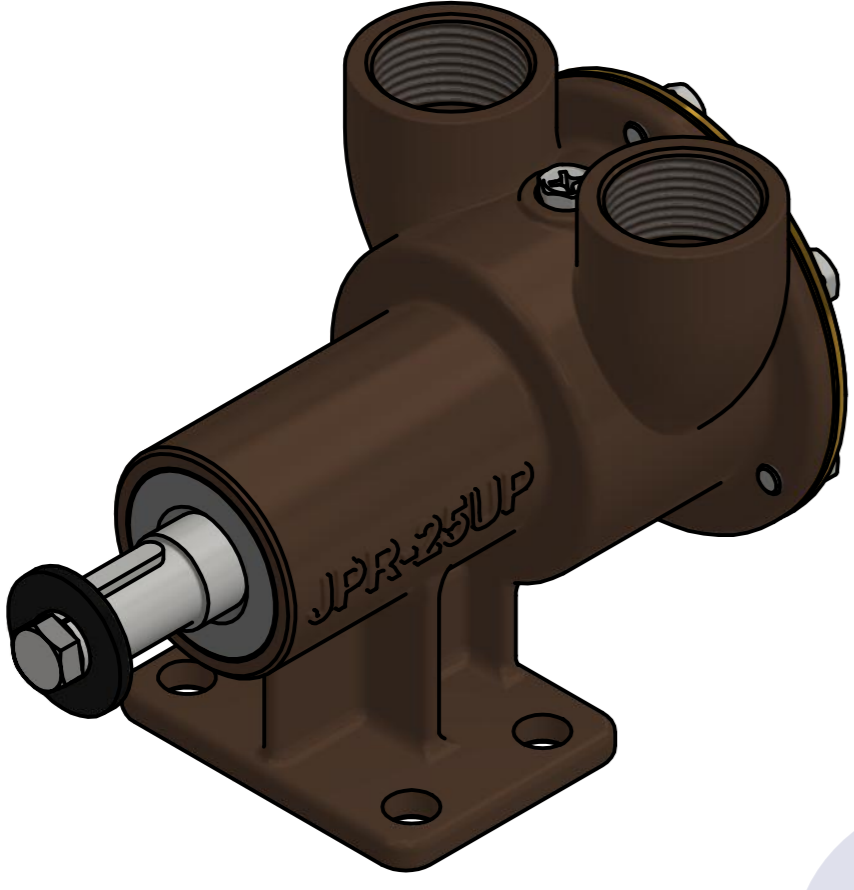


| PART LIST | | | | | |
|-----------|-----|-------------|-----------|-----|-------------|
| No. | QTY | PART NUMBER | PART NAME | MAT | DESCRIPTION |
| 1 | 1 | PUA0002 | PUMP ASSY | | JPR-25UP |



JPR-25UP

| | | | | | |
|------------|------------|--------------------|-------------|------------|-------|
| Drawing by | Checked by | Approved by - date | Model Name | Date | Scale |
| M.J.KANG | C.I. JEON | | JPR-25UP | 2019-02-21 | 1:1 |
| | | | PUMP ASSY | | |
| | | | PART NUMBER | Edition | Sheet |
| | | | PUA0002(0) | 0 | A2 |

| | |
|-----|----------|
| 품 번 | PUA0002 |
| 품 명 | JPR-25UP |

A: MAJOR KIT B: MINOR KIT C: CAM SET D: M-SEAL SET E: IMPELLER KIT

| No. | QTY | PART NUMBER | PART NAME | A (JSK0001) | B (JSM0001) | C (CAMSET0003) | D (MCSSET0008) | E (JIKJMP024) |
|-----|-----|-------------|-----------------|----------------|----------------|-------------------|-------------------|------------------|
| 1 | 2 | BER0002 | BEARING | X | | | | |
| 2 | 1 | BOL0034 | FLAT WASHER | X | | | | |
| 3 | 1 | BOL0037 | SPRING WASHER | X | | | | |
| 4 | 1 | BOL0059 | HEX BOLT | X | | | | |
| 5 | 7 | BOL0080 | HEX SCREW | X | X | X (1) | | |
| 6 | 1 | CAM0003 | CAM | X | X | X | | |
| 7 | 1 | COV0003 | COVER | X | X | | | |
| 8 | 1 | GAK0009 | FIBER GASKET | X | X | X | | |
| 9 | 1 | 7400-01 | RUBBER IMPELLER | X | X | | | X |
| 10 | 1 | KEY0002 | KEY | X | | | | |
| 11 | 1 | MCS0013 | CERAMIC | X | X | | X | |
| 12 | 1 | MCS0016 | CARBON | X | X | | X | |
| 13 | 1 | ORG0013 | O-RING | X | X | | | X |
| 14 | 1 | PBC0002 | PUMP CASING | | | | | |
| 15 | 1 | RET0030 | RETAINER | X | | | | |
| 16 | 1 | SHA0001 | SHAFT | X | | | | |
| 17 | 1 | SLI0001 | SLINGER | X | | | | |
| 18 | 1 | SNP0002 | SNAP-RING | X | | | | |
| 19 | 1 | SNP0006 | SNAP-RING | X | X | | | |
| 20 | 1 | SNP0009 | SNAP-RING | X | | | | |
| 21 | 1 | SPC0002 | SPACER | X | | | | |

8 7 6 5 4 3 2 1

F

E

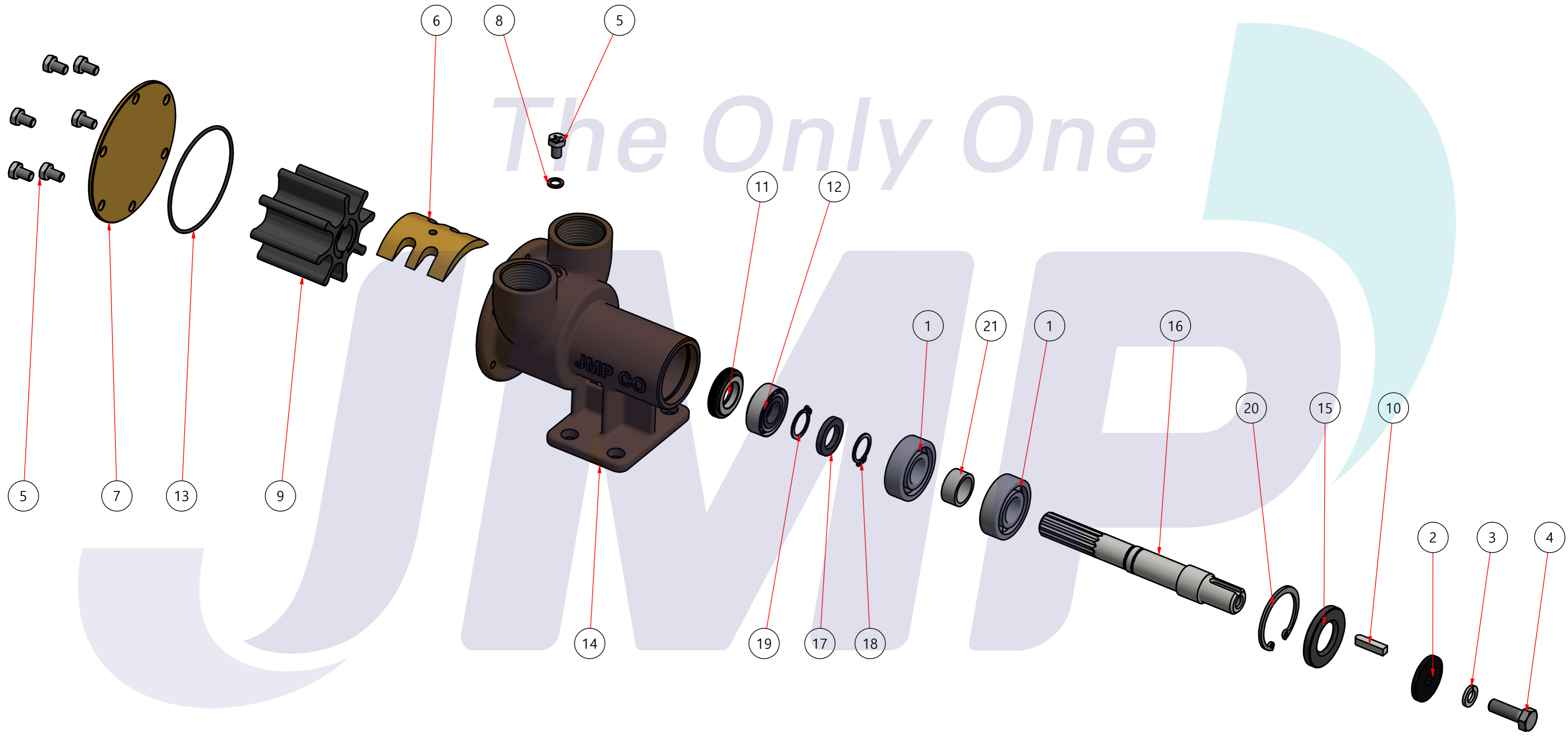
D

C

B

A

The Only One



| | | | | | |
|--------------------|-------------------------|--------------------|---------------------------|--------------------|----------------|
| Drawing by 강 명진 | Checked by Y.D. JEON | Approved by - date | Model Name JPR-25UP | Date 2014-03-03 | Scale 1 : 1 |
| | | | PUMP PART'S VIEW | | |
| | | | PART NUMBER PUA0002(0) | Edition 0 | Sheet A2 |

8 7 6 5 4 3 2 1