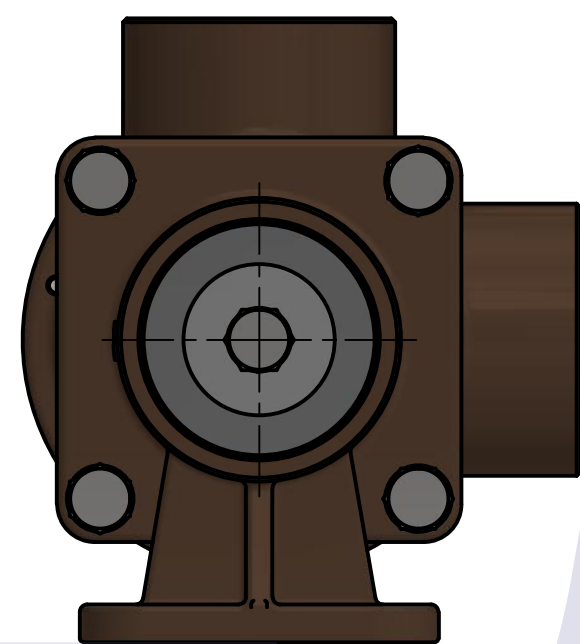
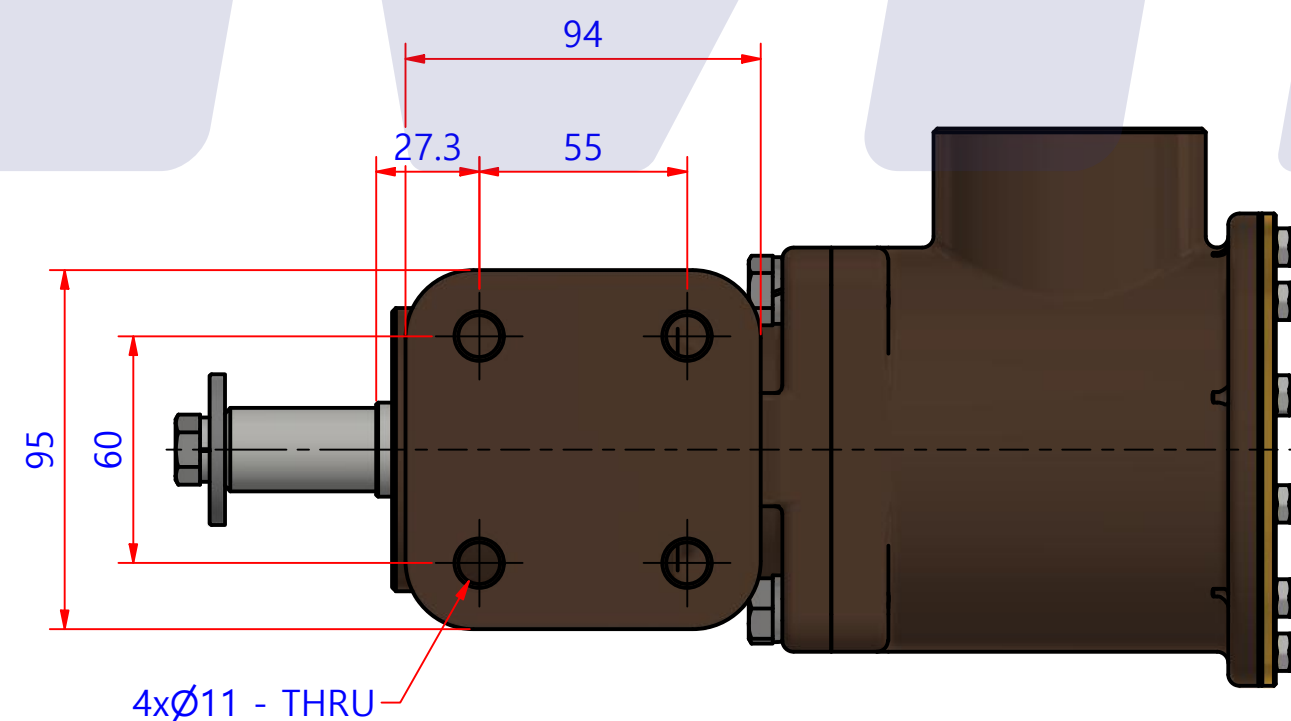
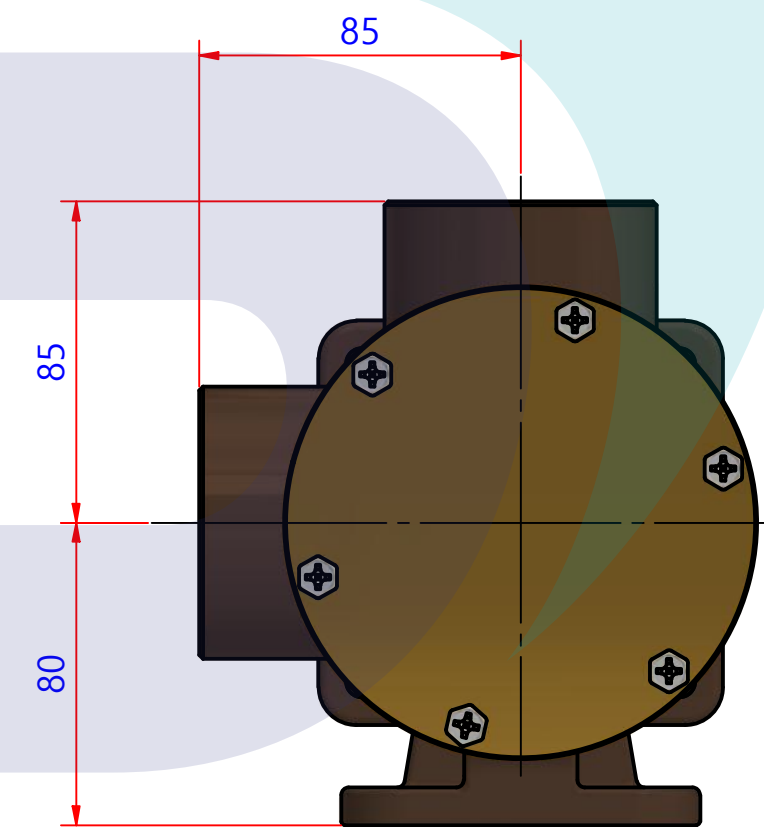
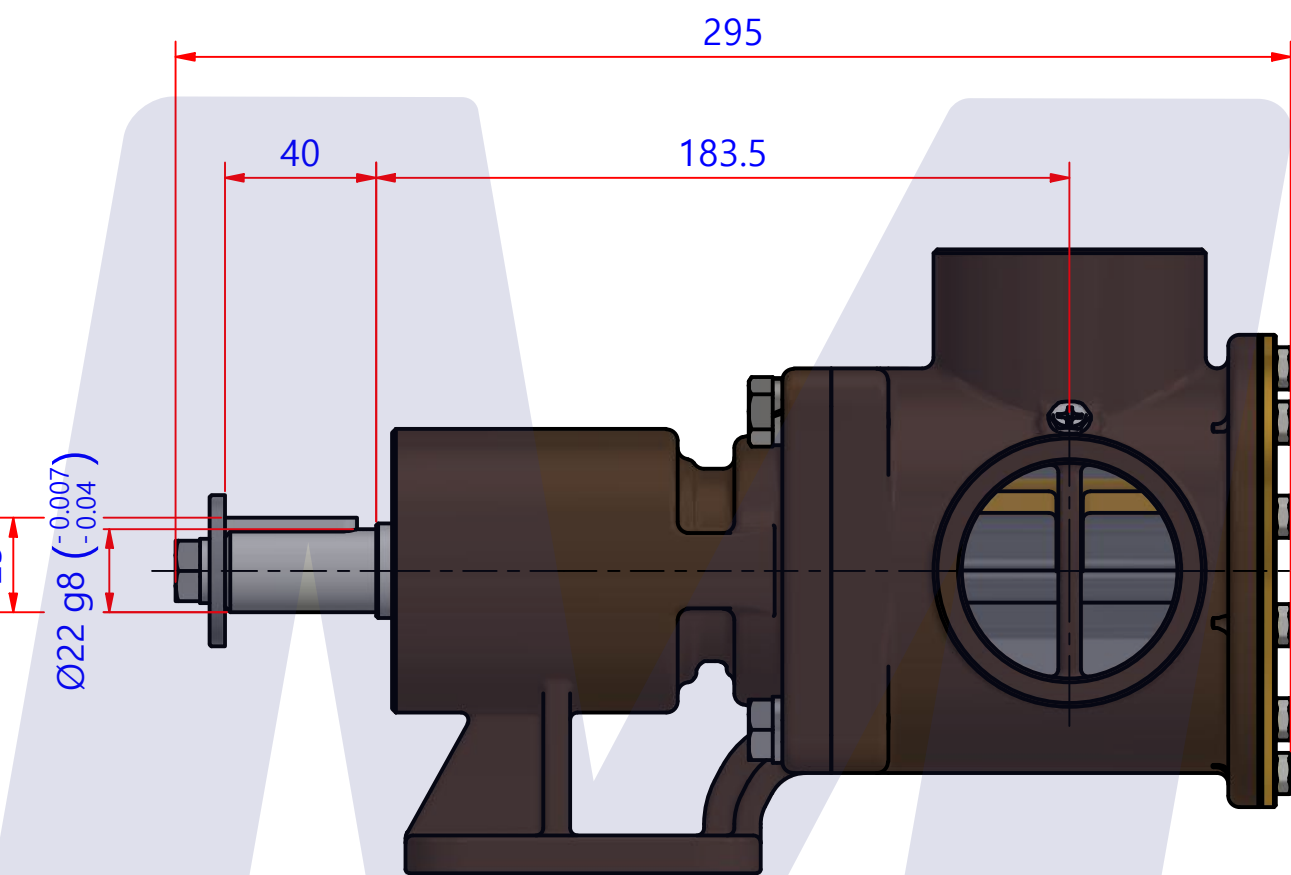
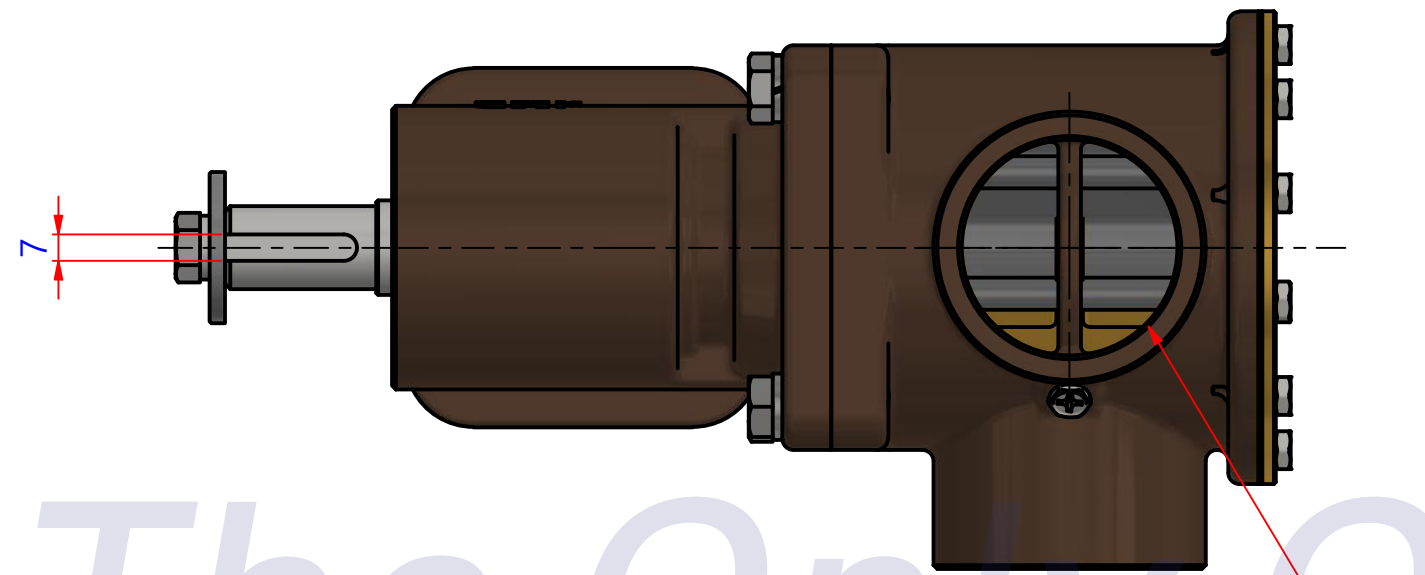


PART LIST					
No.	QTY	PART NUMBER	PART NAME	MAT	DESCRIPTION
1	1	PUA0017	PUMP ASSY		JPR-50LPL



JPR-50LPL

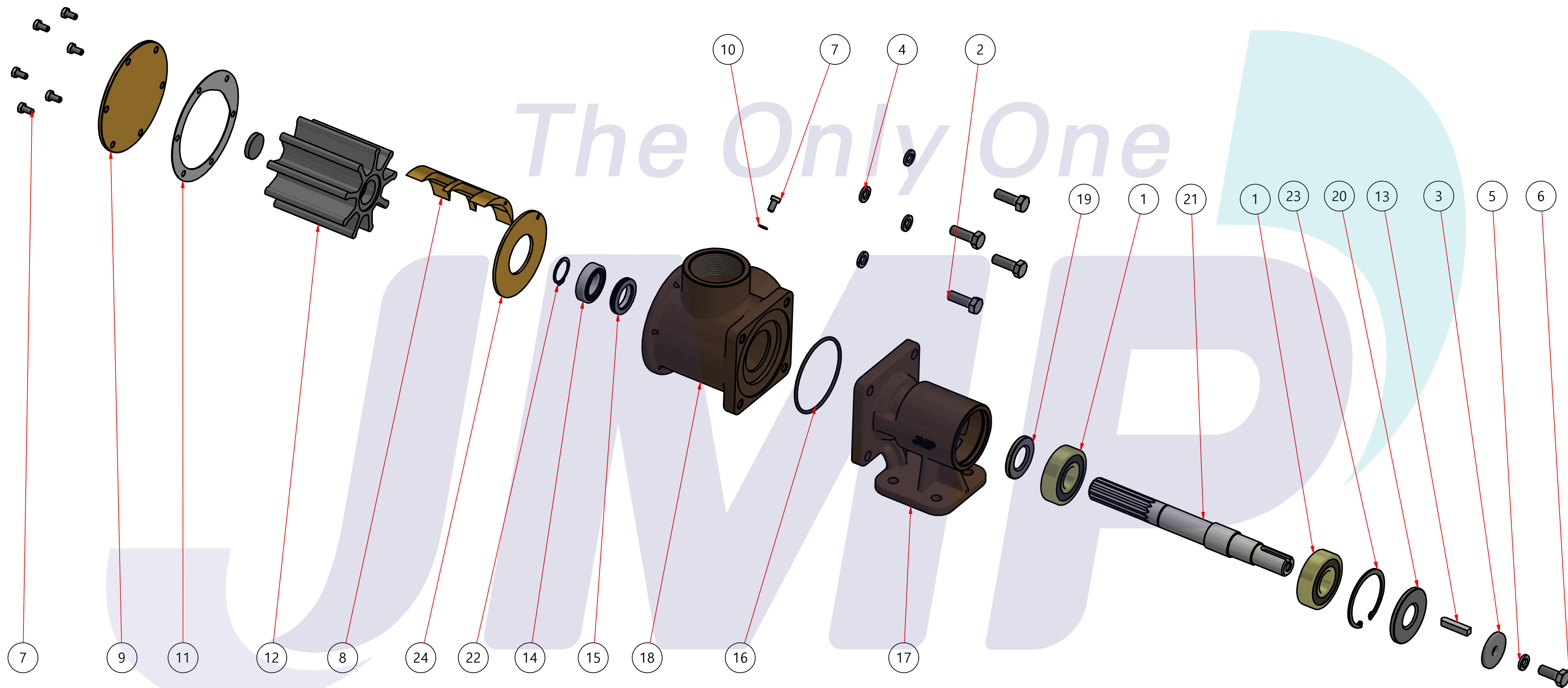
Drawing by M.J.KANG	Checked by C.I. JEON	Approved by - date	Model Name JPR-50LPL	Date 2019-02-22	Scale 1:1
			PUMP ASSY		
			PART NUMBER PUA0017(0)	Edition 0	Sheet A2


품 번	PUA0017
품 명	JPR-50LPL

A: MAJOR KIT B: MINOR KIT C: CAM SET D: M-SEAL SET E: IMPELLER KIT

No.	QTY	PART NUMBER	PART NAME	A (JSK0012)	B (JSM0012)	C (CAMSET0008)	D (MCSSET0003)	E (JIKJMP050)
1	2	BER0006	BEARING	X				
2	4	BOL0012	HEX BOLT	X				
3	1	BOL0032	FLAT WASHER	X				
4	4	BOL0038	SPRING WASHER	X				
5	1	BOL0039	SPRING WASHER	X				
6	1	BOL0060	HEX BOLT	X				
7	7	BOL0081	HEX SCREW	X	X	X (1)		
8	1	CAM0008	CAM	X	X	X		
9	1	COV0008	COVER	X				
10	1	GAK0009	FIBER GASKET	X	X	X		
11	1	GAK0019	GASKET	X	X			X
12	1	8400-01	RUBBER IMPELLER	X	X			X
13	1	KEY0007	KEY	X				
14	1	MCS0004	CARBON	X	X		X	
15	1	MCS0009	CERAMIC	X	X		X	
16	1	ORG0009	O-RING	X	X			
17	1	PBC0015	PUMP CASING / BER					
18	1	PBC0018	PUMP CASING / IMP					
19	1	RET0007	RETAINER	X				
20	1	RET0010	RETAINER	X				
21	1	SHA0011	SHAFT	X				
22	1	SNP0008	SNAP-RING	X	X			
23	1	SNP0013	SNAP-RING	X				
24	1	WER0004	WEAR PLATE	X	X			

PART LIST					
항목	수량	부품번호	주제	재질	설명
1	1	PUA0017	PUMP ASSY		JPR-50LPL



Drawing by	Checked by	Approved by - date	Model Name	Date	Scale
강 명진	Y.D. JEON		JPR-50LPL	2013-10-25	1 : 1
			PUMP PART'S VIEW		
			PART NUMBER	Edition	Sheet
			PUA0017(0)	0	A2