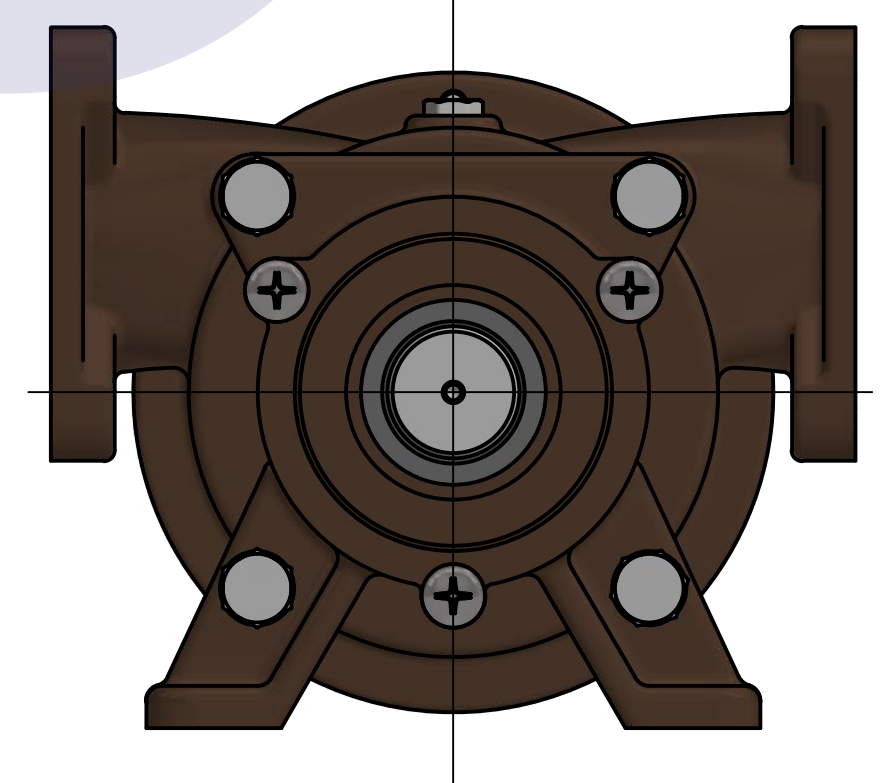
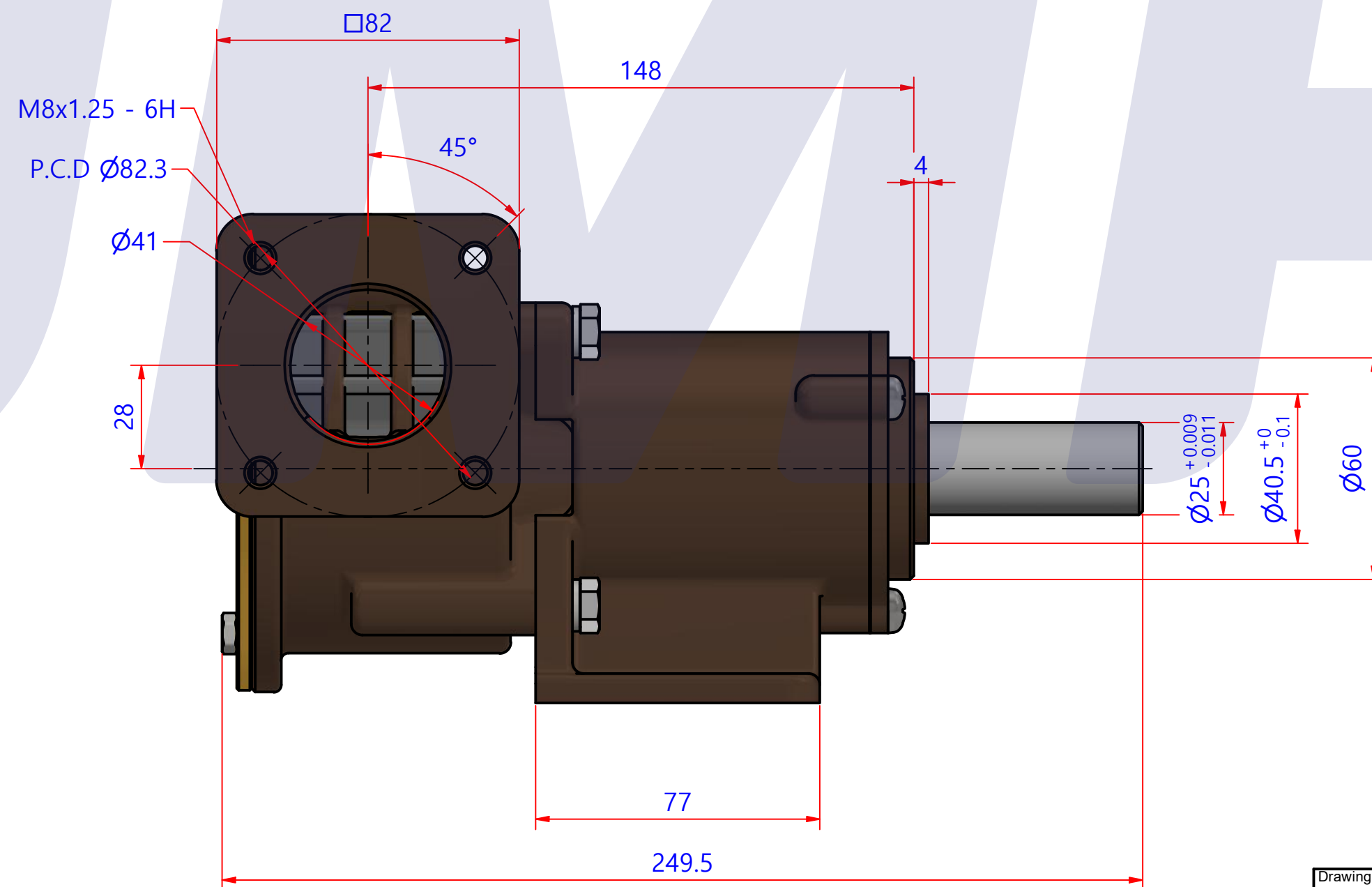
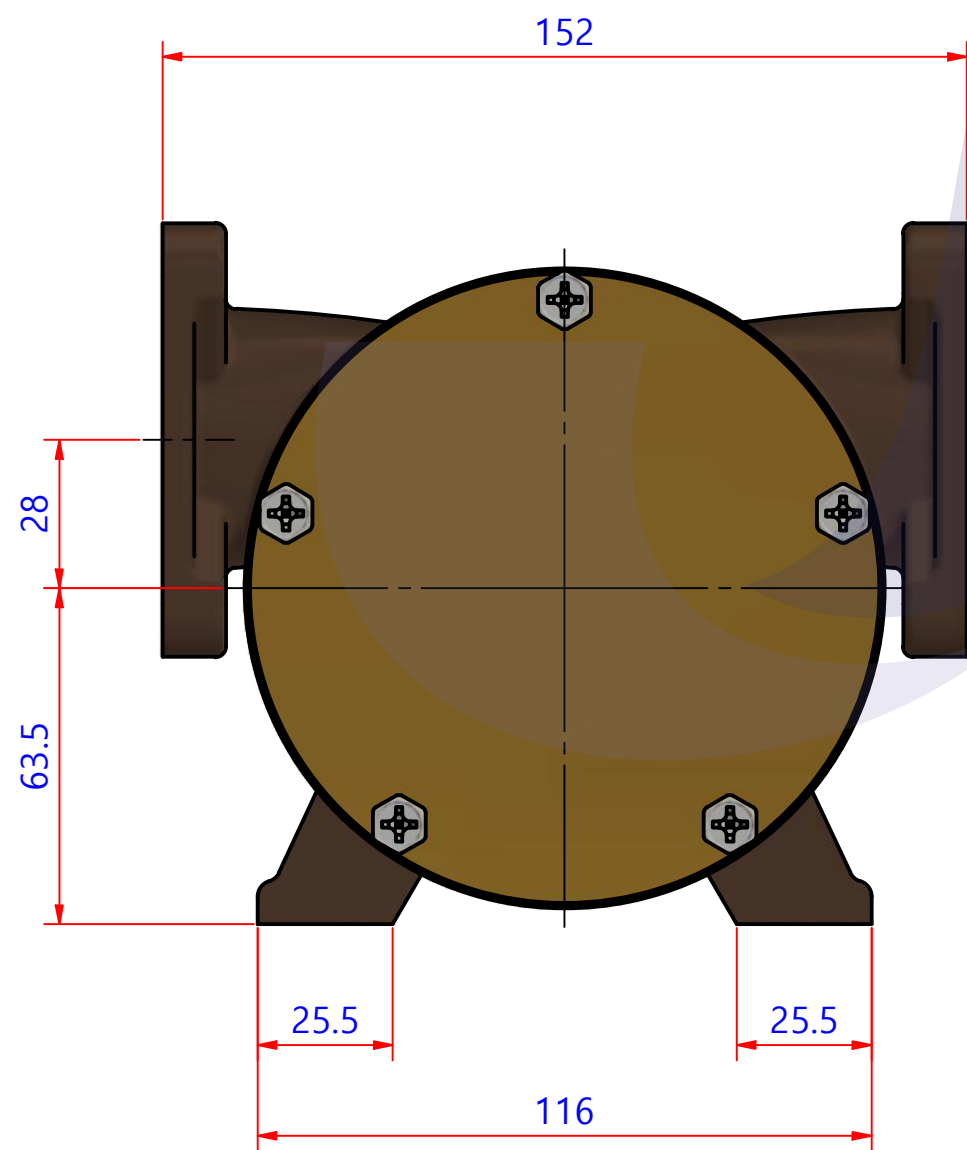
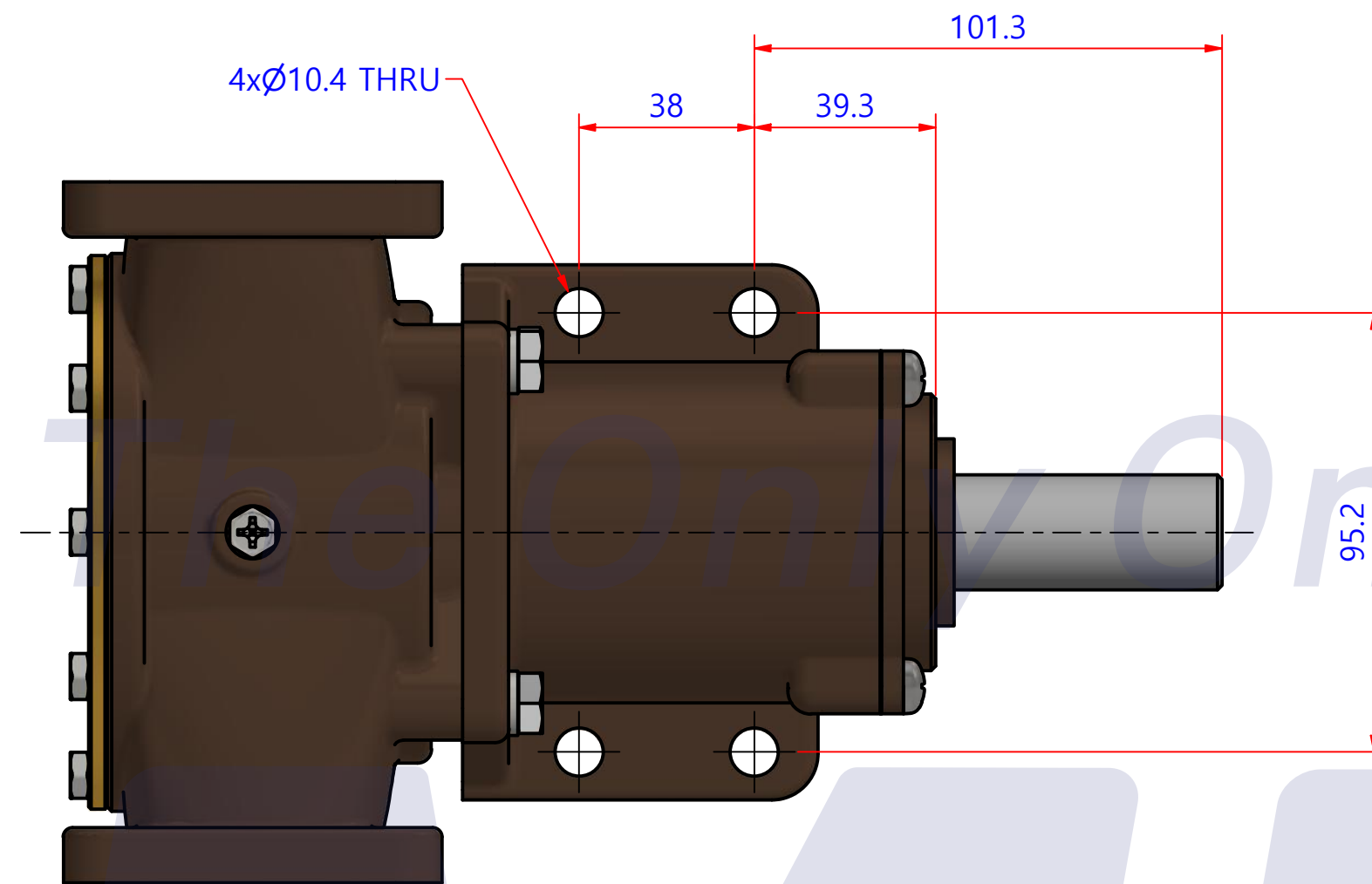
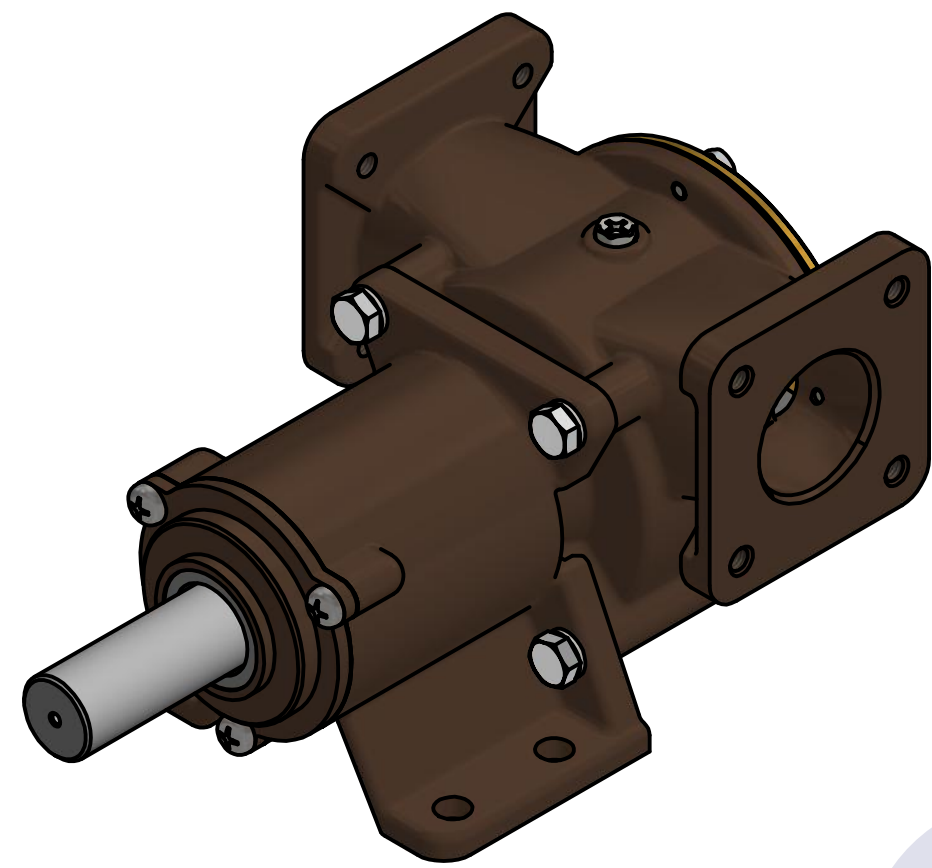


PART LIST					
No.	QTY	PART NUMBER	PART NAME	MAT	DESCRIPTION
1	1	PUA0061	PUMP ASSY		JPR-VK2000 (Ni)



JPR-VK2000

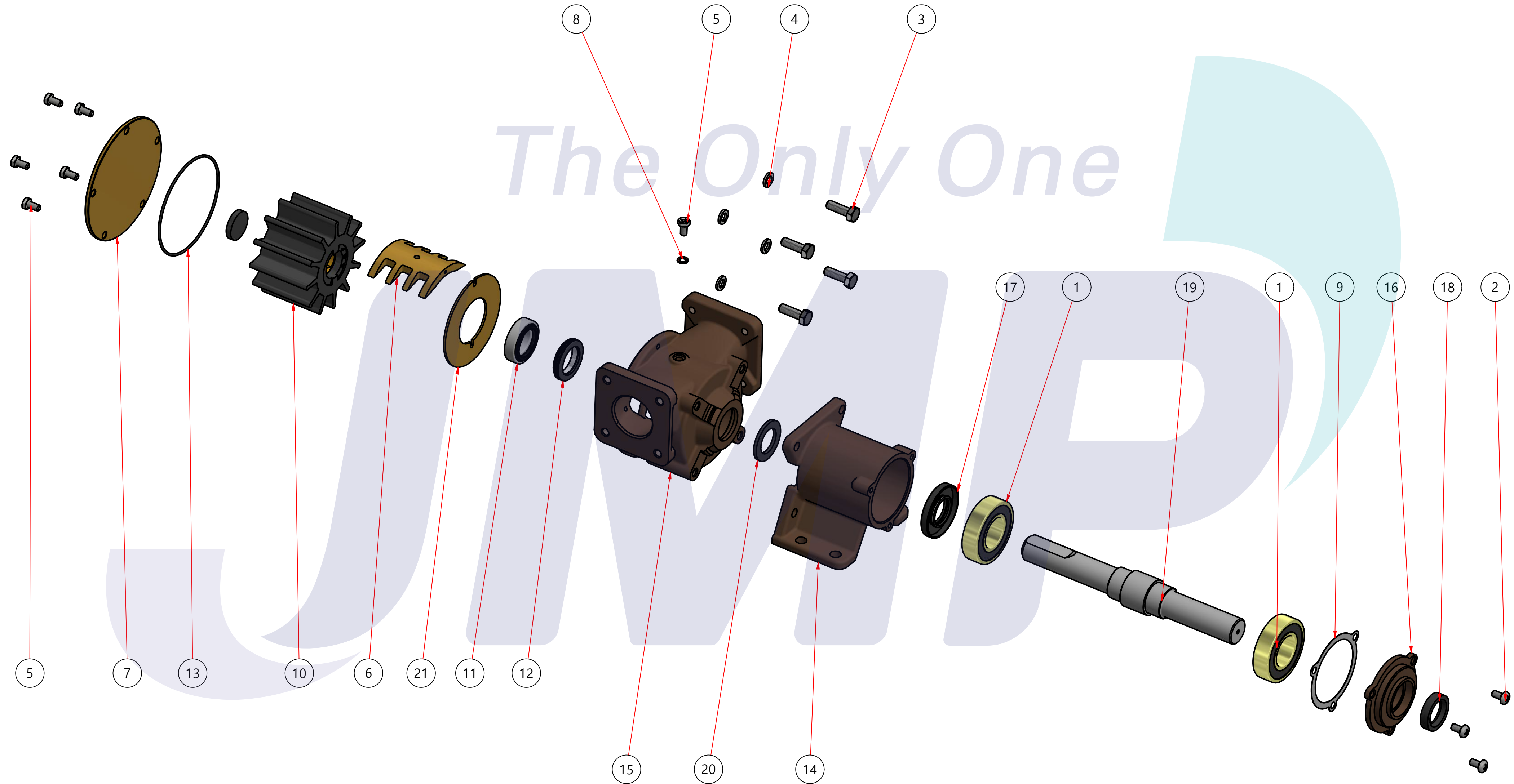
Drawing by	Checked by	Approved by - date	Model Name	Date	Scale
M.J.KANG	C.I. JEON		JPR-VK2000	2020-02-05	1 : 1
			PUMP ASSY		
			PART NUMBER	PUA0061(0)	Sheet A2

품 번	PUA0061
품 명	JPR-VK2000NI

A: MAJOR KIT B: MINOR KIT C: CAM SET D: M-SEAL SET E: IMPELLER KIT

No.	QTY	PART NUMBER	PART NAME	A (JSK0112)	B (JSM0014)	C (CAMSET0005)	D (MCSSET0003)	E (JIKJMP)
1	2	BER0036	BEARING	X				
2	3	BOL0003	SCREW	X				
3	4	BOL0008	HEX BOLT	X				
4	4	BOL0036	SPRING WASHER	X				
5	6	BOL0081	HEX SCREW	X	X	X (1)		
6	1	CAM0005	CAM	X	X	X		
7	1	COV0005	COVER	X	X			
8	1	GAK0009	FIBER GASKET	X	X	X		
9	1	GAK0026	GASKET	X				
10	1	8101-01	NITRILE IMPELLER	X	X			JIMP0028N
11	1	MCS0004	CARBON	X	X		X	
12	1	MCS0009	CERAMIC	X	X		X	
13	1	ORG0015	O-RING	X	X			
14	1	PBC0104	PUMP CASING / BER					
15	1	PBC0105	PUMP CASING / IMP					
16	1	PBC0164	BER COVER					
17	1	RET0009	RETAINER	X				
18	1	RET0017	RETAINER	X				
19	1	SHA0061	SHAFT	X				
20	1	SLI0003	SLINGER	X				
21	1	WER0003	WEAR PLATE	X	X			

PART LIST					
No.	QTY	PART NUMBER	PART NAME	MAT	DESCRIPTION
1	1	PUA0061	PUMP ASSY		JPR-VK2000NI



Drawing by	Checked by	Approved by - date	Model Name	Date	Scale
강 명진	Y.D. JEON		JPR-VK2000NI	2014-01-02	1 : 1
			PUMP PART'S VIEW		
			PART NUMBER	Edition	Sheet
			PUA0061(0)	0	A2