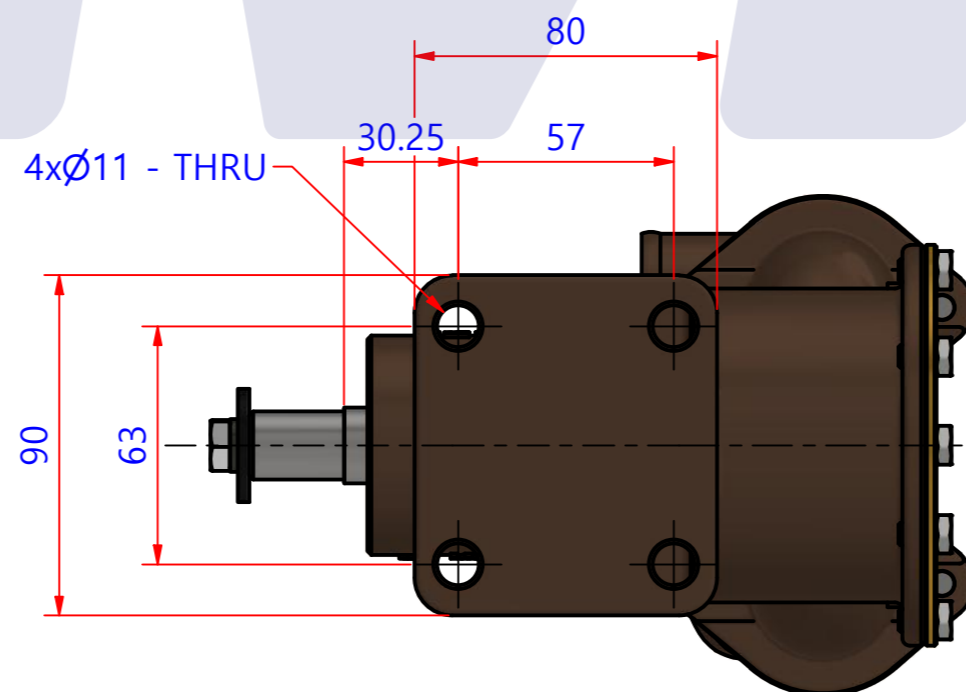
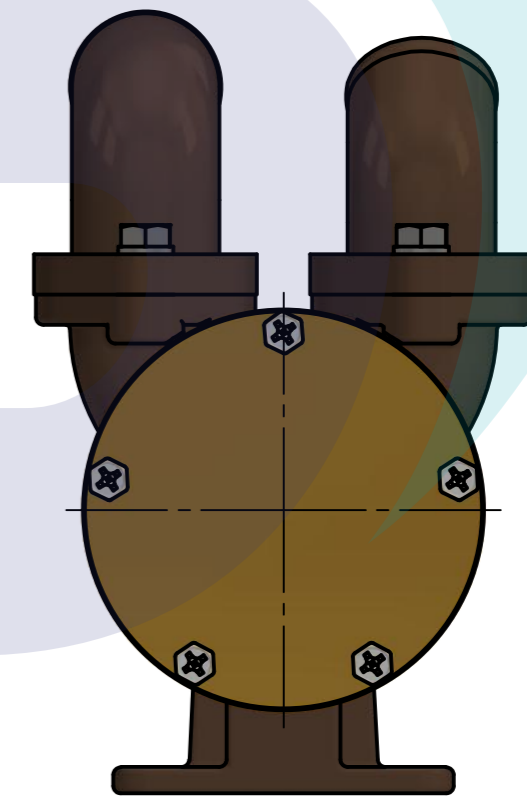
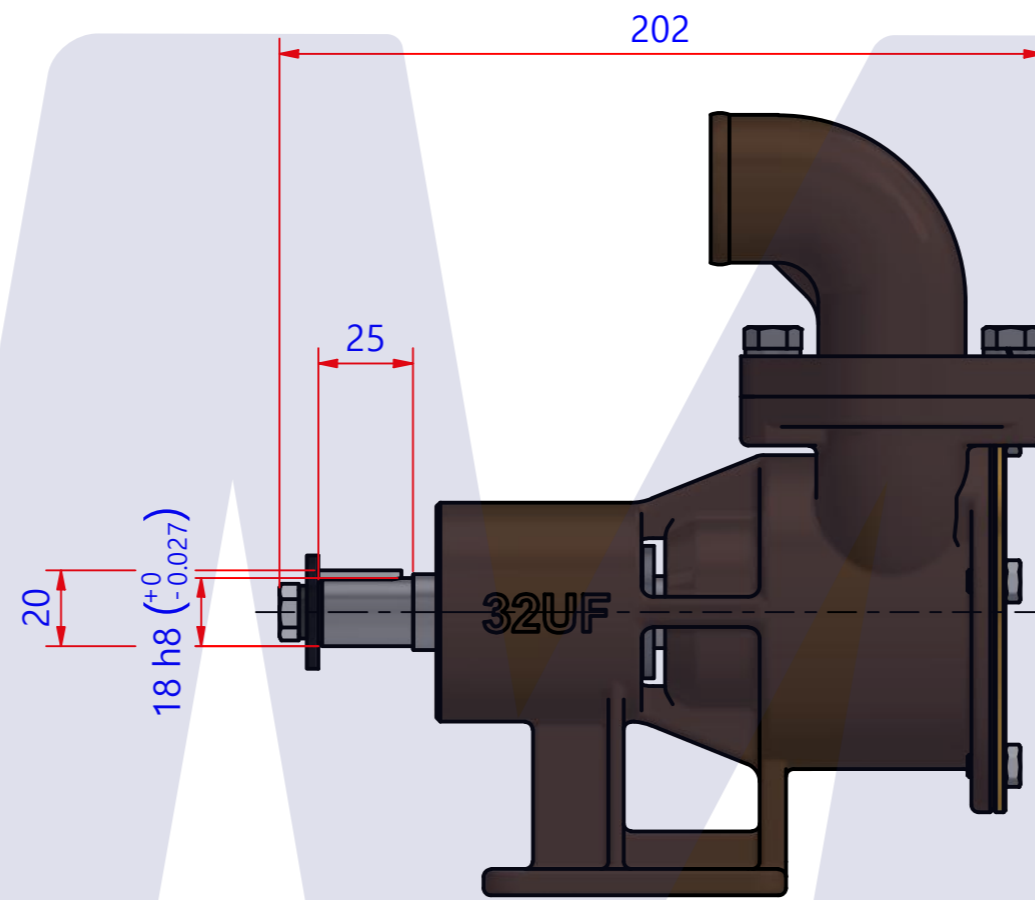
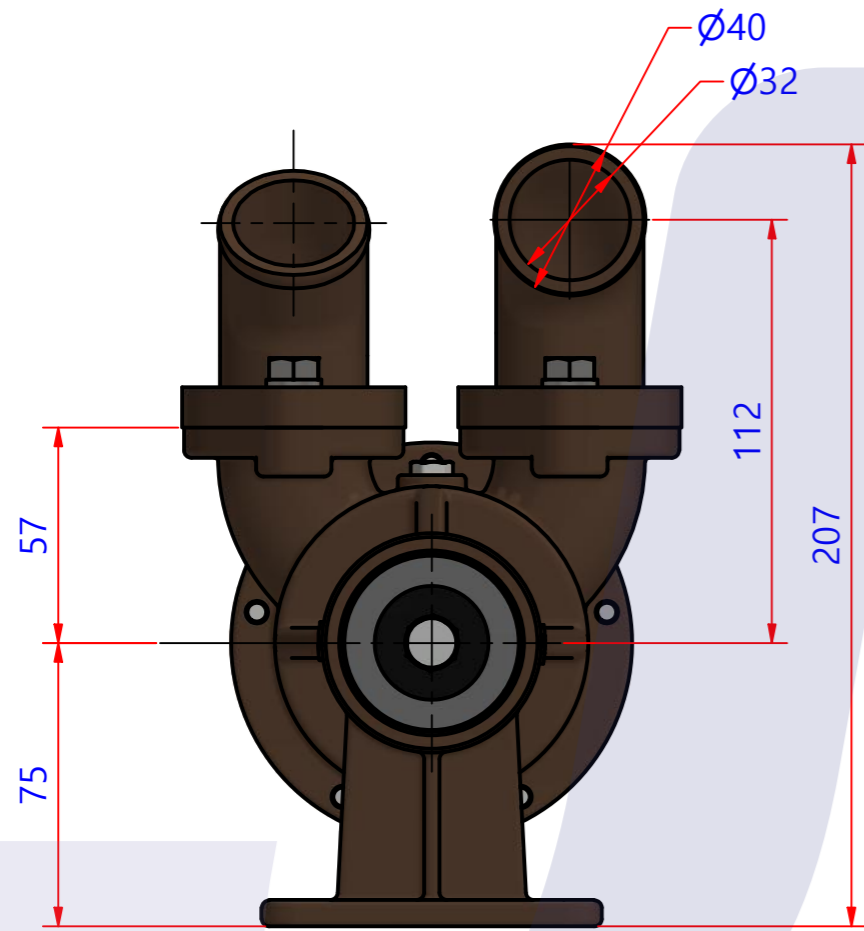
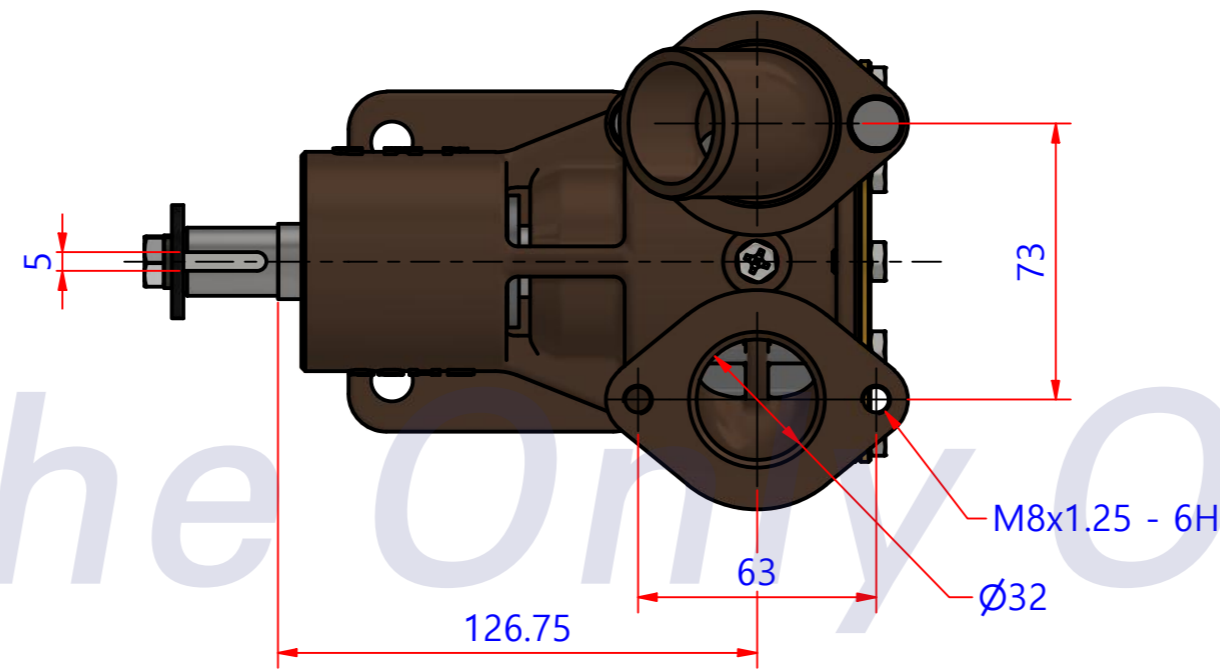
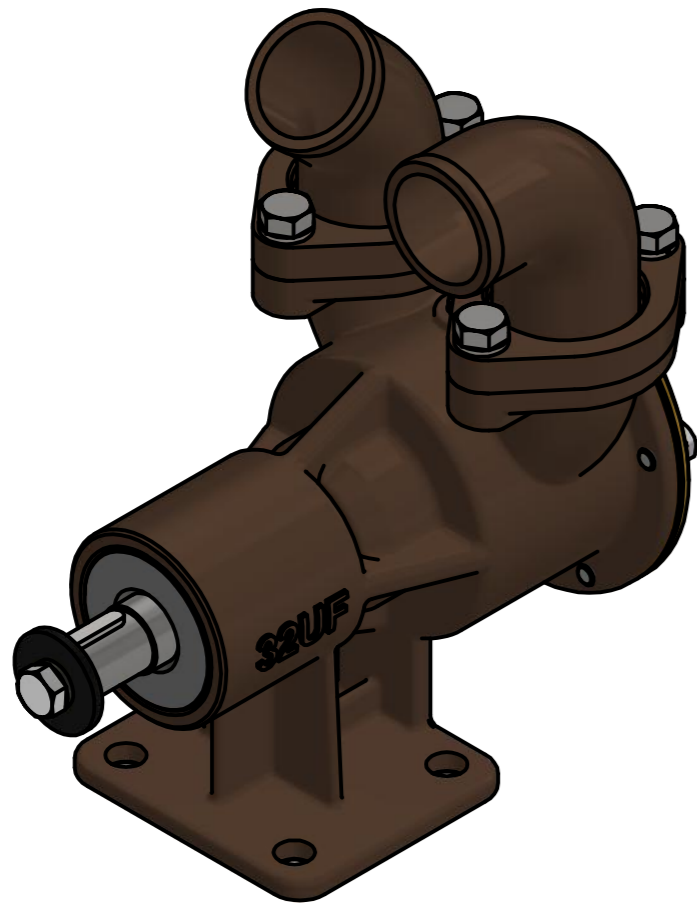


| 부품 리스트 | | | | | |
|--------|----|-----------|-----------|----|----------------------------------|
| 항목 | 수량 | 부품번호 | 주제 | 재질 | 설명 |
| 1 | 1 | PUA020302 | PUMP ASSY | | JPR-32UF (with Flange kit 90+45) |



**JPR-32UF con
Kit Flangia a 90°**

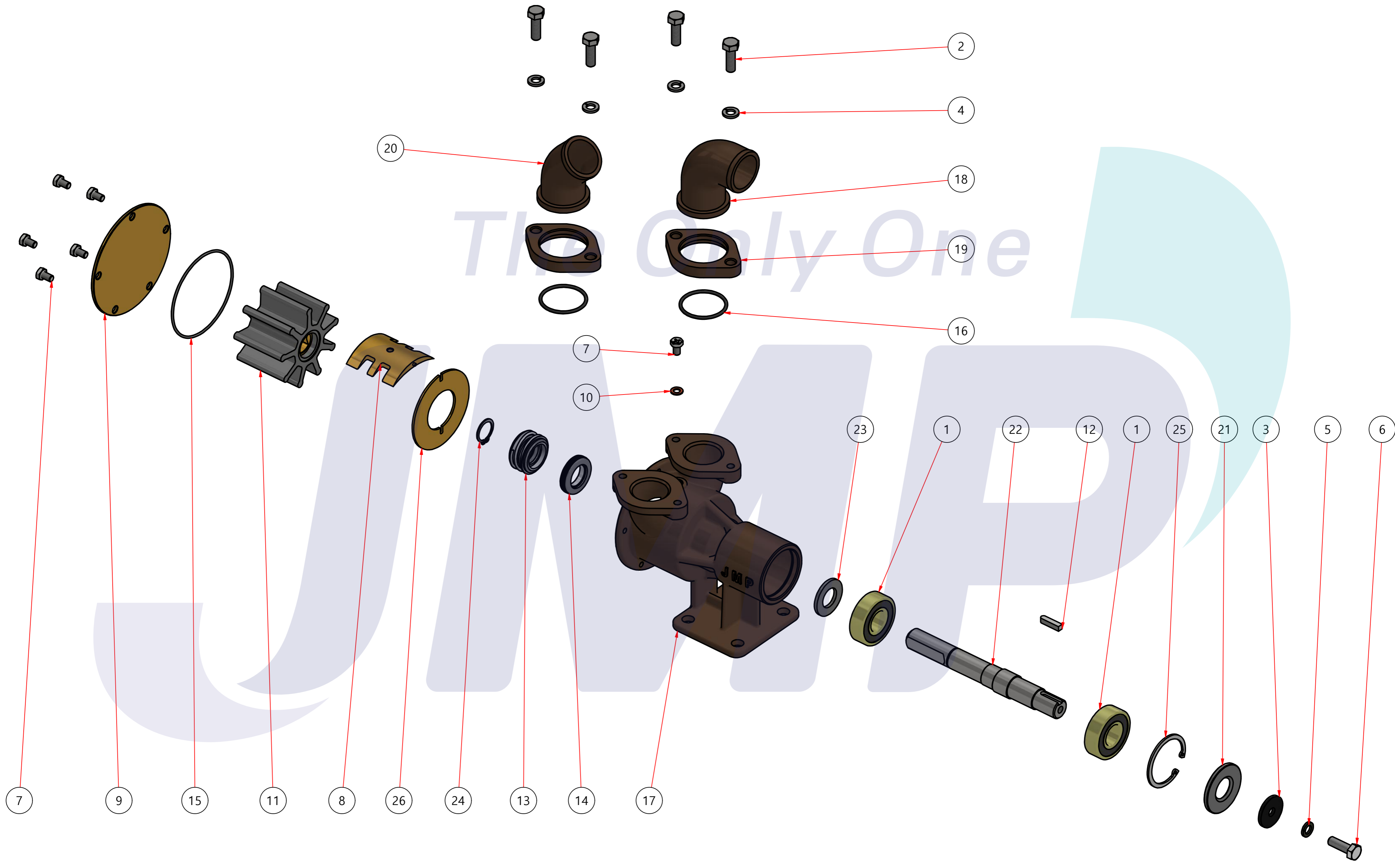
| | | | | | |
|-------------|------------|--------------------|--------------|------------|-------|
| Drawing by | Checked by | Approved by - date | Model Name | Date | Scale |
| 강 명진 | C.I, JEON | | JPR-32UF | 2020-06-08 | 1 : 1 |
| | | | PUMP ASSY | | |
| PART NUMBER | | | PUA020302(0) | Edition | Sheet |
| | | | | 0 | A2 |

| | |
|----|------------------------------------|
| 품번 | PUA020302 |
| 품명 | JPR-32UF (with Flange kit 90°+45°) |

A: MAJOR KIT B: MINOR KIT C: CAM SET D: M-SEAL SET E: IMPELLER KIT F: FLANGE KIT

| No. | QTY | PART NUMBER | PART NAME | A (JSK0004) | B (JSM0010) | C (CAMSET0004) | D (MCSSET0002) | E (JIKJMP073) | F (FLK0002) |
|-----|-----|-------------|-----------------|----------------|----------------|-------------------|-------------------|------------------|----------------|
| 1 | 2 | BER0001 | BEARING | X | | | | | |
| 2 | 4 | BOL0008 | HEX BOLT | | | | | | X |
| 3 | 1 | BOL0034 | FLAT WASHER | X | | | | | |
| 4 | 4 | BOL0036 | SPRING WASHER | | | | | | X |
| 5 | 1 | BOL0037 | SPRING WASHER | X | | | | | |
| 6 | 1 | BOL0059 | HEX BOLT | X | | | | | |
| 7 | 6 | BOL0080 | HEX BOLT | X | X | X (1) | | | |
| 8 | 1 | CAM0004 | CAM | X | X | X | | | |
| 9 | 1 | COV0004 | COVER | X | X | | | | |
| 10 | 1 | GAK0009 | FIBER GASKET | X | X | X | | | |
| 11 | 1 | 7502-01 | RUBBER IMPELLER | X | X | | | X | |
| 12 | 1 | KEY0002 | KEY | X | | | | | |
| 13 | 1 | MCS0020 | CARBON | X | X | | X | | |
| 14 | 1 | MCS0021 | CERAMIC | X | X | | X | | |
| 15 | 1 | ORG0014 | O-RING | X | X | | | X | |
| 16 | 2 | ORG0017 | O-RING | | | | | | X |
| 17 | 1 | PBC0007 | PUMP CASING | | | | | | |
| 18 | 1 | PBC0076 | PUMP ELBOW 90° | | | | | | X |
| 19 | 2 | PBC0080 | PUMP FLANGE | | | | | | X |
| 20 | 1 | PBC0146 | PUMP ELBOW 45° | | | | | | X |
| 21 | 1 | RET0031 | RETAINER | X | | | | | |
| 22 | 1 | SHA0004 | SHAFT | X | | | | | |
| 23 | 1 | SLI0002 | SLINGER | X | | | | | |
| 24 | 1 | SNP0007 | SNAP-RING | X | X | | | | |
| 25 | 1 | SNP0010 | SNAP-RING | X | | | | | |
| 26 | 1 | WER0002 | WEAR PLATE | X | X | | | | |

| 부품 리스트 | | | | | |
|--------|----|-----------|-----------|----|------------------------|
| 항목 | 수량 | 부품번호 | 주제 | 재질 | 설명 |
| 1 | 1 | PUA020302 | PUMP ASSY | | JPR-32UF (ELBOW 90+45) |



| | | | | | |
|--------------------|-------------------------|--------------------|-----------------------------|--------------------|--------------|
| Drawing by 강 명진 | Checked by C.I, JEON | Approved by - date | Model Name JPR-32UF | Date 2020-06-05 | Scale 1:1 |
| | | | PUMP PARTS VIEW | | |
| | | | PART NUMBER PUA020302(0) | Edition 0 | Sheet A2 |