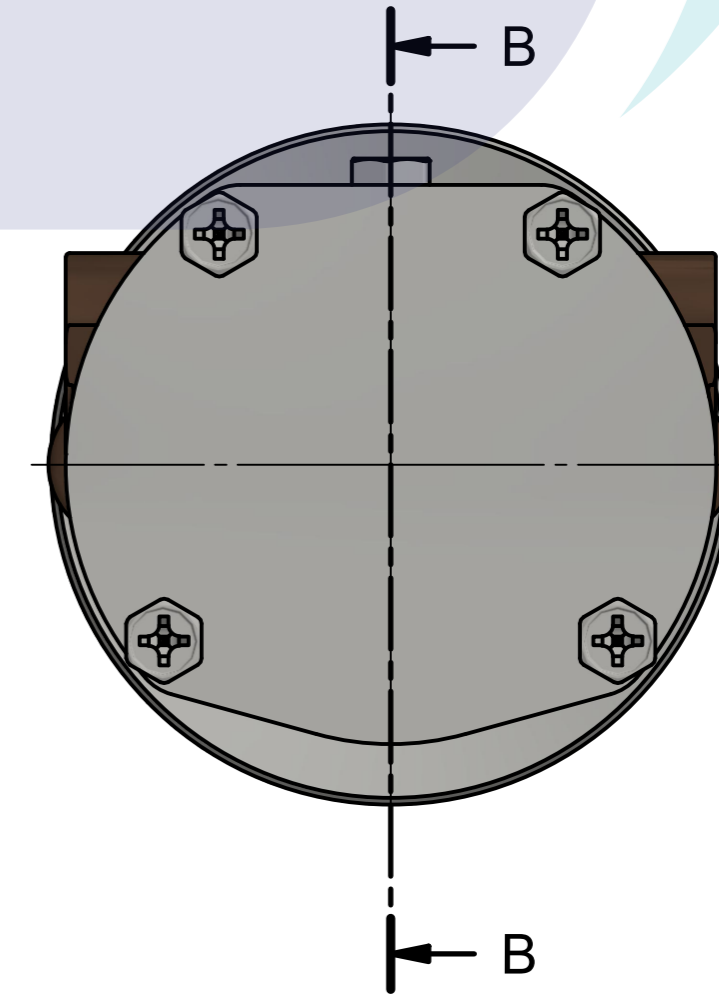
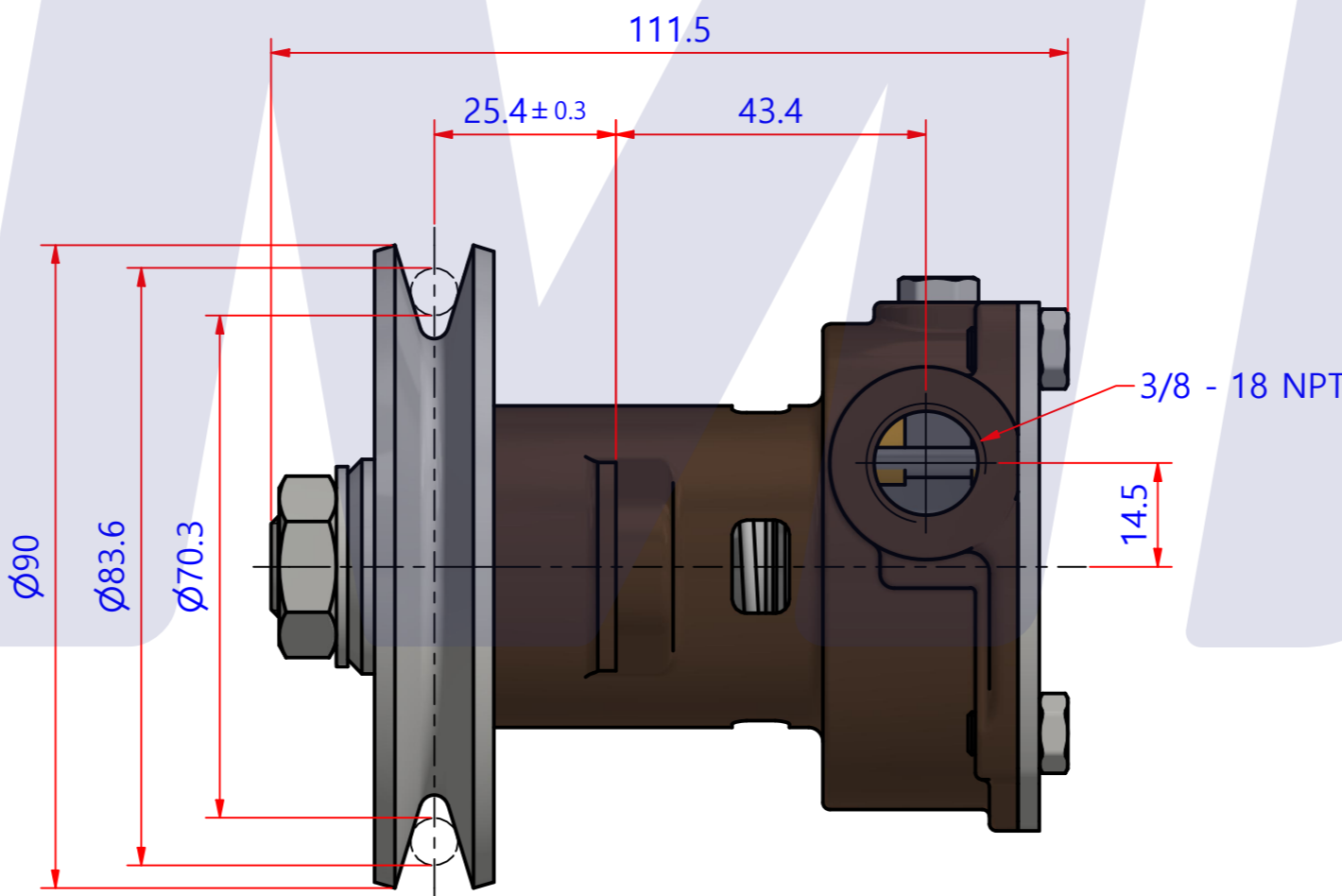
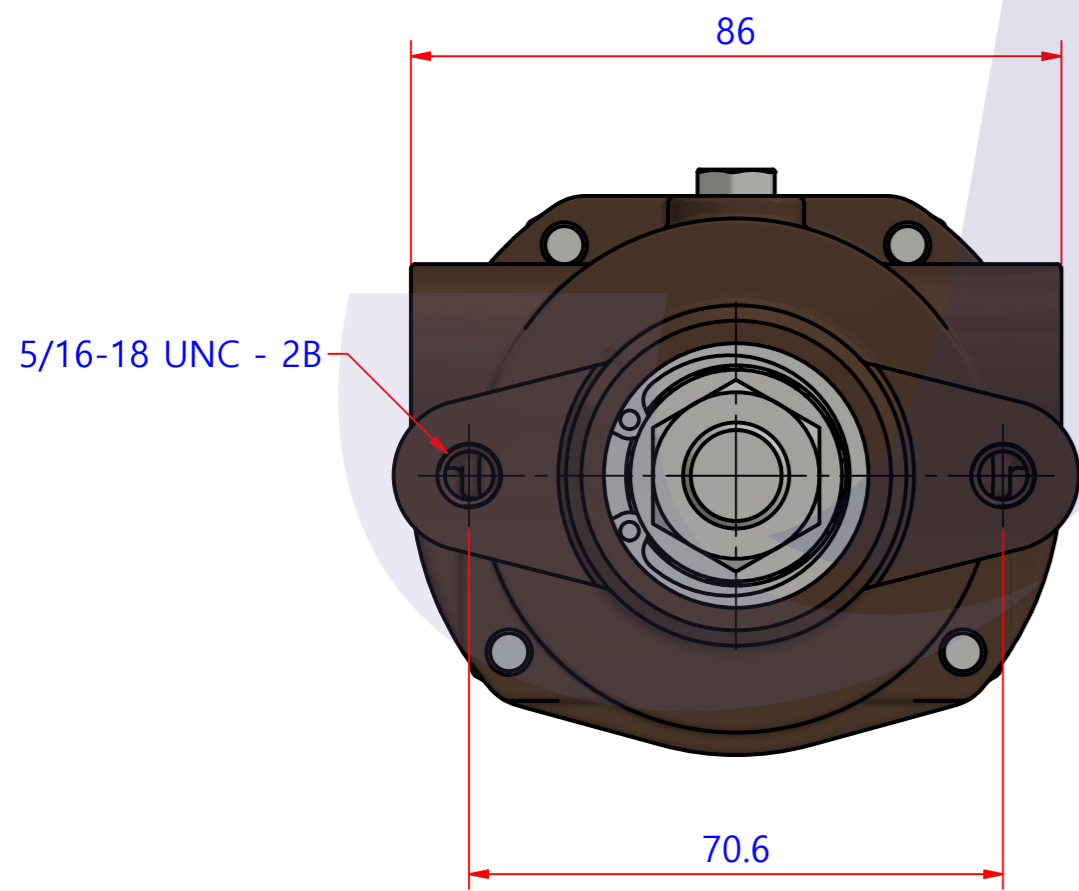
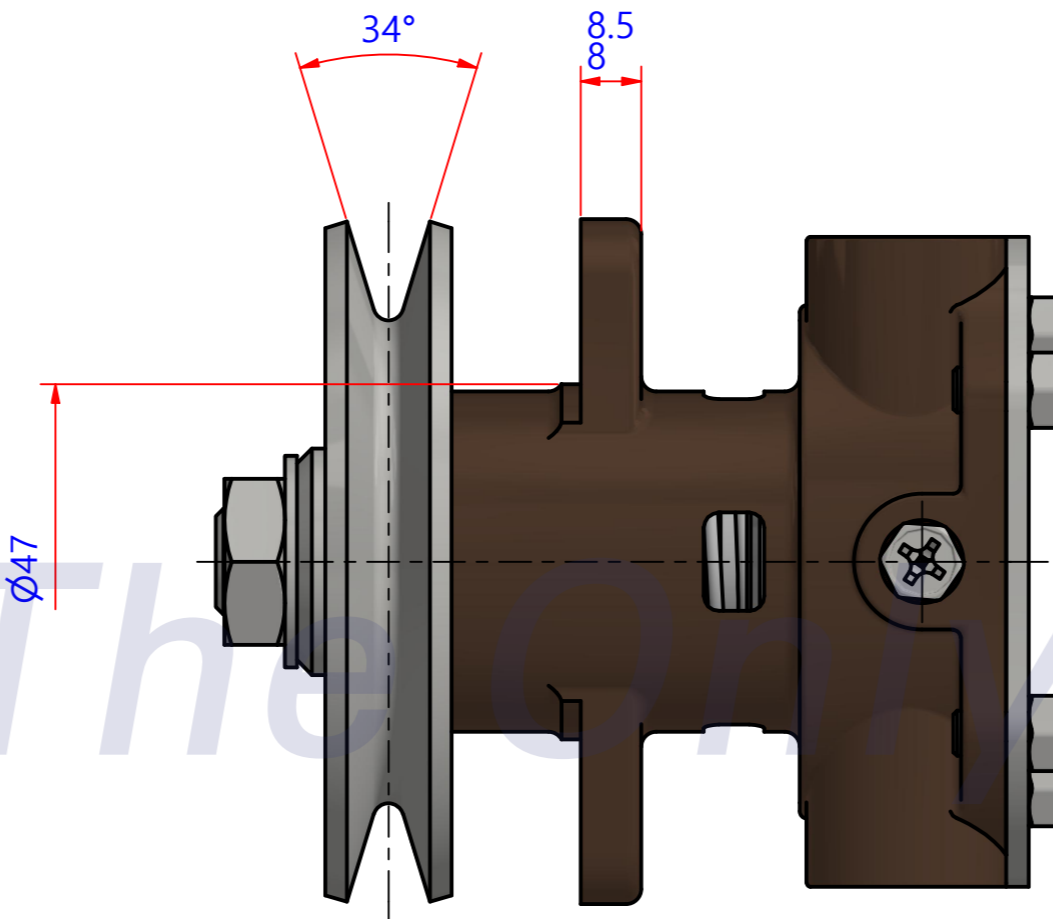
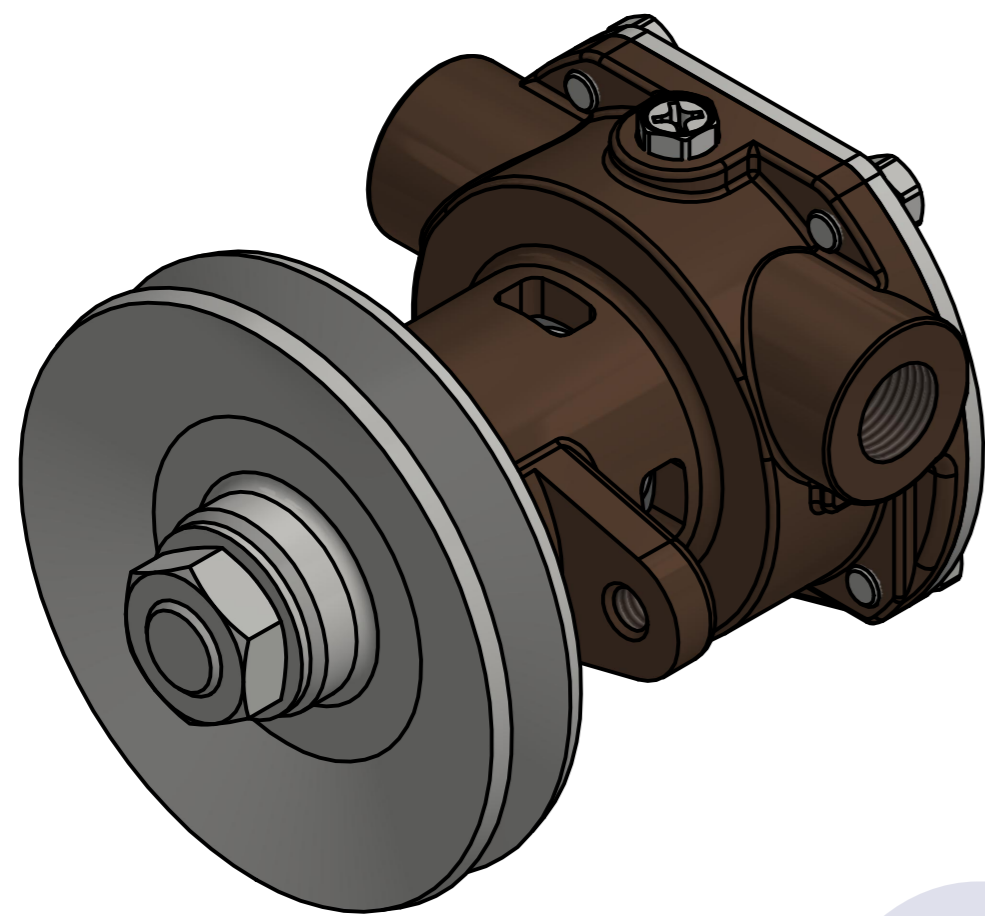


PART LIST					
No.	QTY	PART NUMBER	PART NAME	MAT	DESCRIPTION
1	1	PUAKL0002	PUMP ASSY		JPR-KL10IP-2



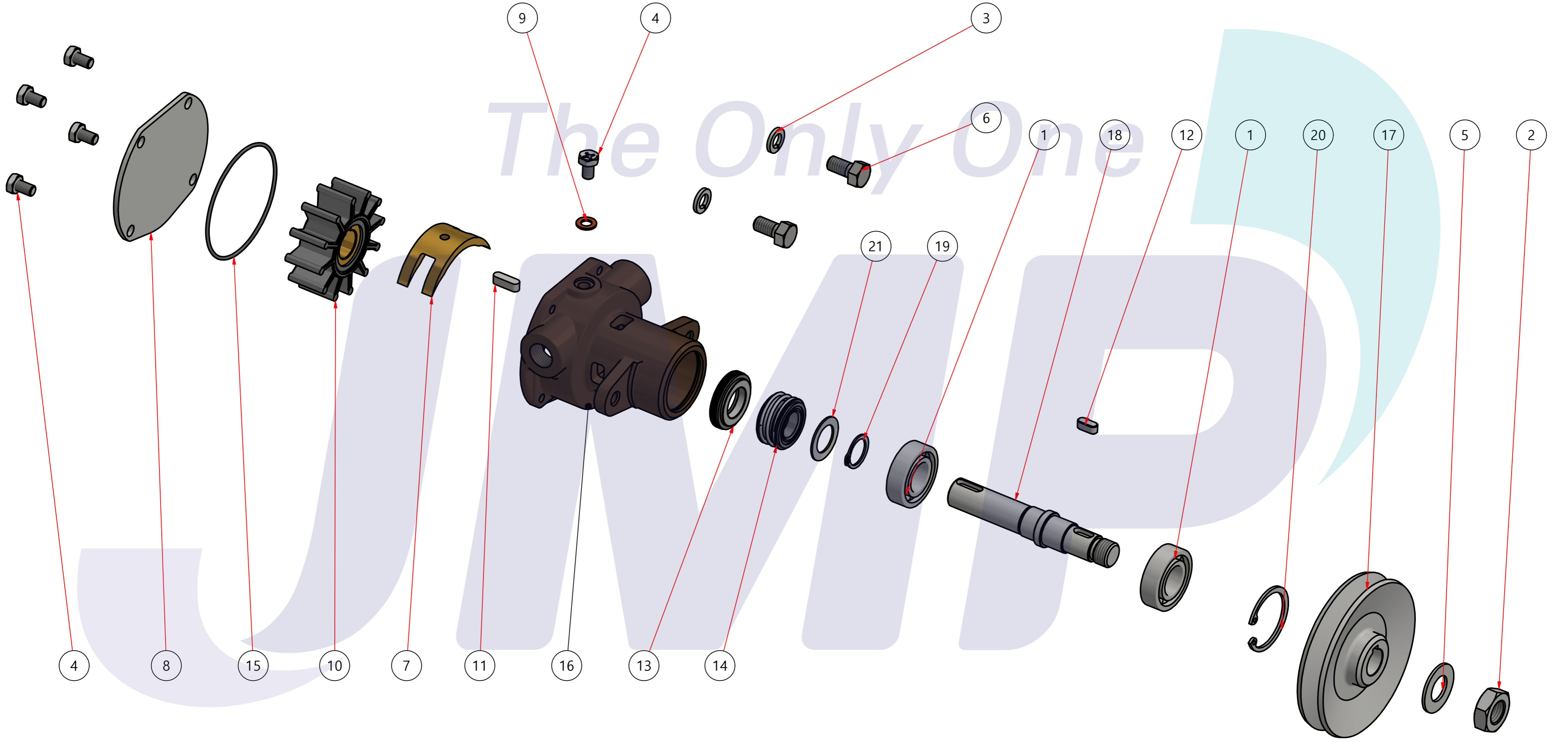
Drawing by	Checked by	Approved by - date	Model Name	Date	Scale
강 명진	Y.D. JEON		JPR-KL10IP2	2013-01-10	1 : 1
			PUMP ASSY		
			PART NUMBER	Edition	Sheet
			PUAKL0002(0)	0	A2


품 번	PUAKL0002
품 명	JPR-KL10IP2

A: MAJOR KIT B: MINOR KIT C: CAM SET D: M-SEAL SET E: IMPELLER KIT

No.	QTY	PART NUMBER	PART NAME	A (JSK0086)	B (JSM0114)	C (CAMSET0029)	D (MCSSET0017)	E (JIKJMP017)
1	2	BER0046	BEARING	X				
2	1	BOL0019	NUT	X				
3	2	BOL0037	SPRING WASHER					
4	5	BOL0080	HEX SCREW	X	X	X (1)		
5	1	BOL0104	RIBBED LOCK WASHER	X				
6	2	BOL0143	HEX BOLT					
7	1	CAM0029	CAM	X	X	X		
8	1	COV0039	COVER	X	X			
9	1	GAK0009	FIBER GASKET	X	X	X		
10	1	7172-01	RUBBER IMPELLER	X	X			X
11	1	KEY0023	KEY	X	X			
12	1	KEY0025	KEY	X				
13	1	MCS0013	CERAMICS	X	X		X	
14	1	MCS001601	CARBON	X	X		X	
15	1	ORG0032	O-RING	X	X			X
16	1	PBC012701	PUMP CASING					
17	1	PUL002001	PULLEY					
18	1	SHA007301	SHAFT	X				
19	1	SNP0021	SNAP-RING	X				
20	1	SNP0022	SNAP-RING	X				
21	1	SPC0019	SPACER	X				

PART LIST					
No.	QTY	PART NUMBER	PART NAME	MAT	DESCRIPTION
1	1	PUAKL0002	PUMP ASSY		JPR-KL10IP2



Drawing by	Checked by	Approved by - date	Model Name	Date	Scale
강 명진	Y.D. JEON		JPR-KL10IP2	2014-02-25	1 : 1
			<b>PUMP PART'S VIEW</b>		
			PART NUMBER	Edition	Sheet
			PUAKL0002(0)	0	A2