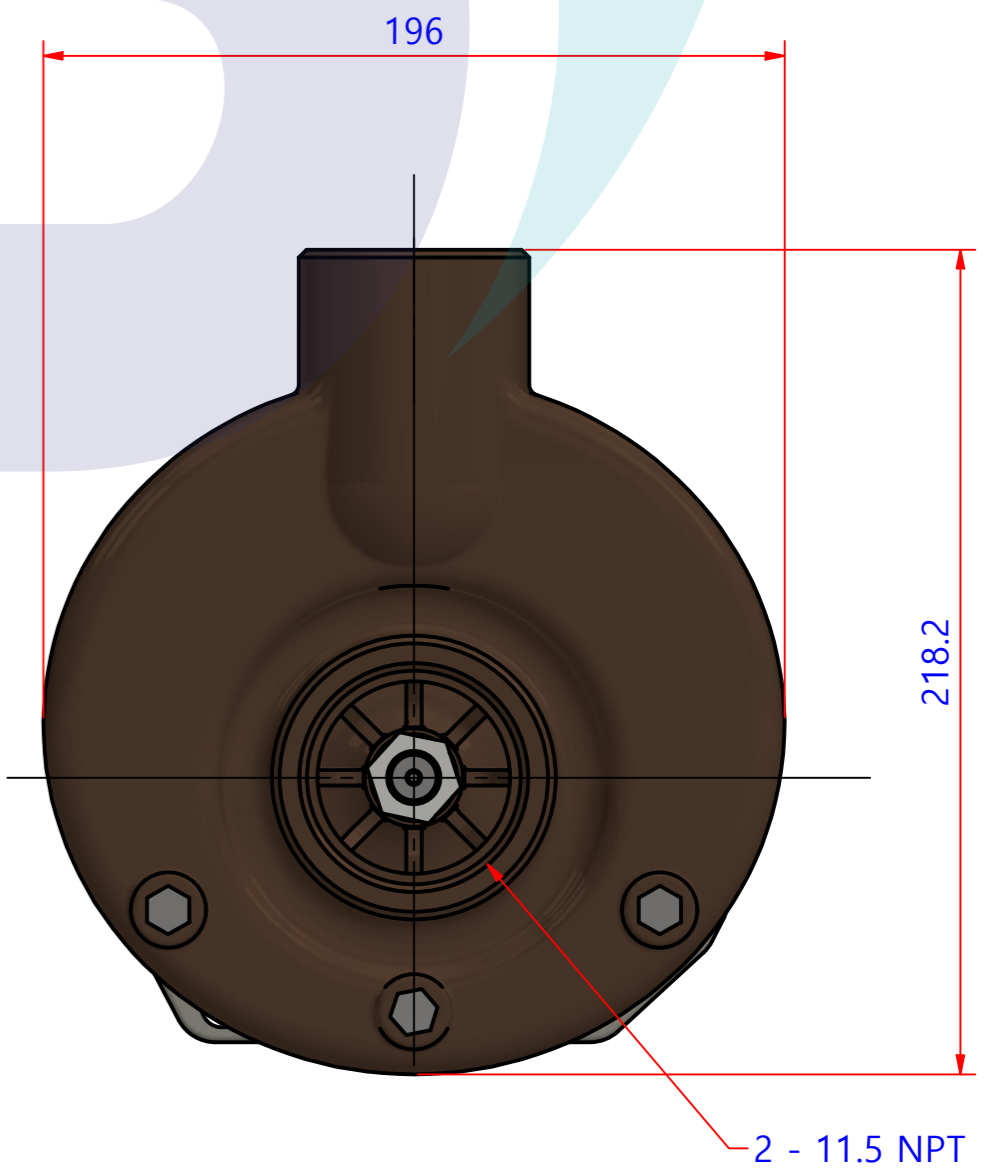
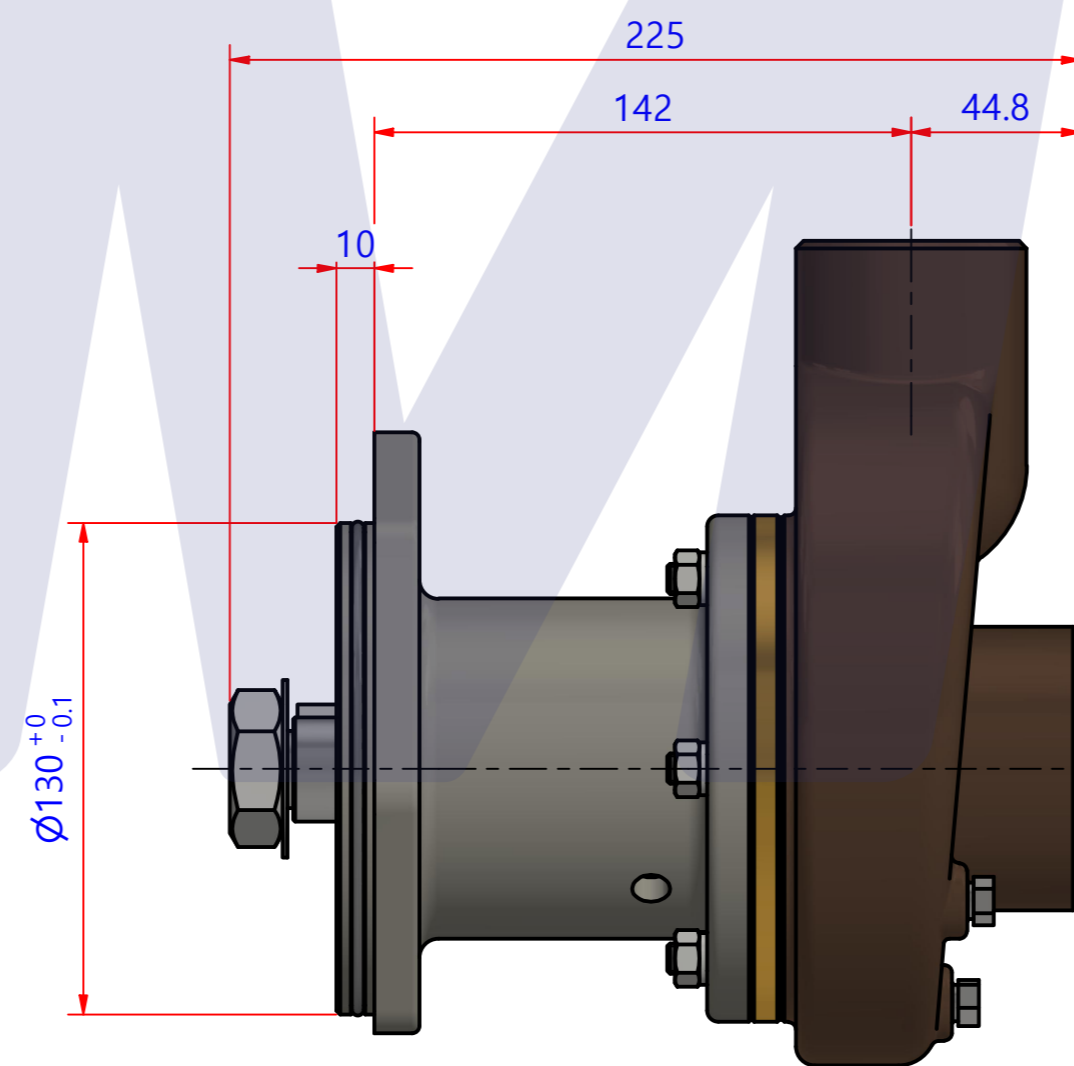
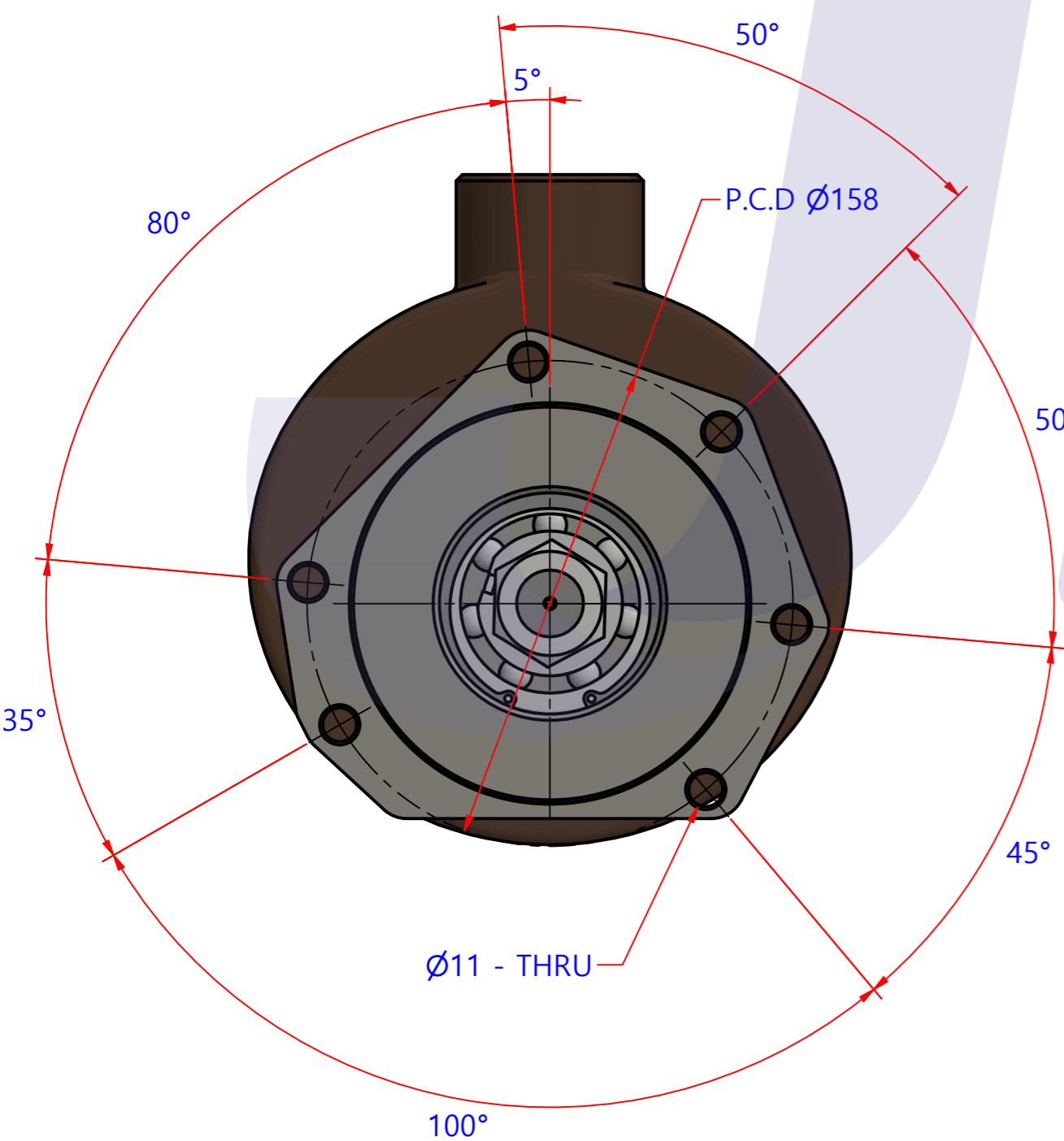
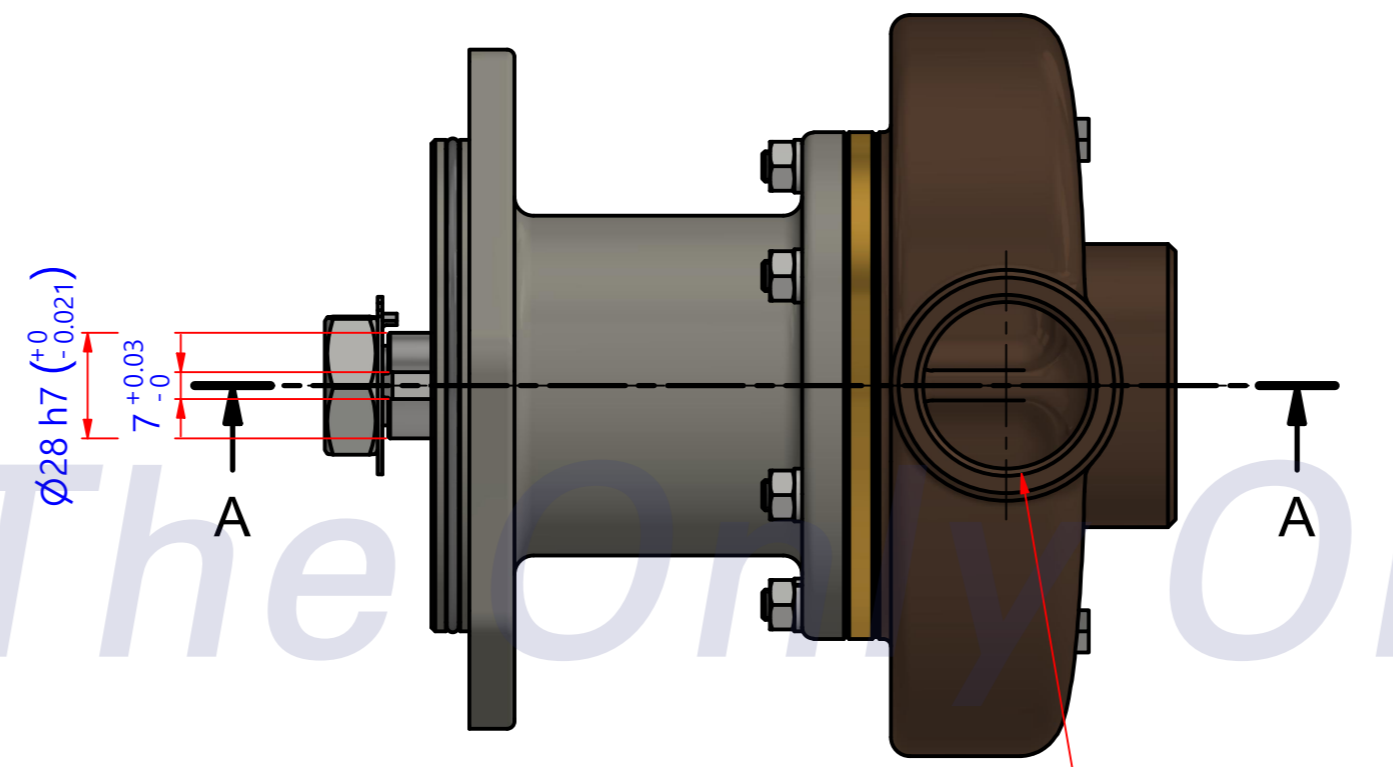
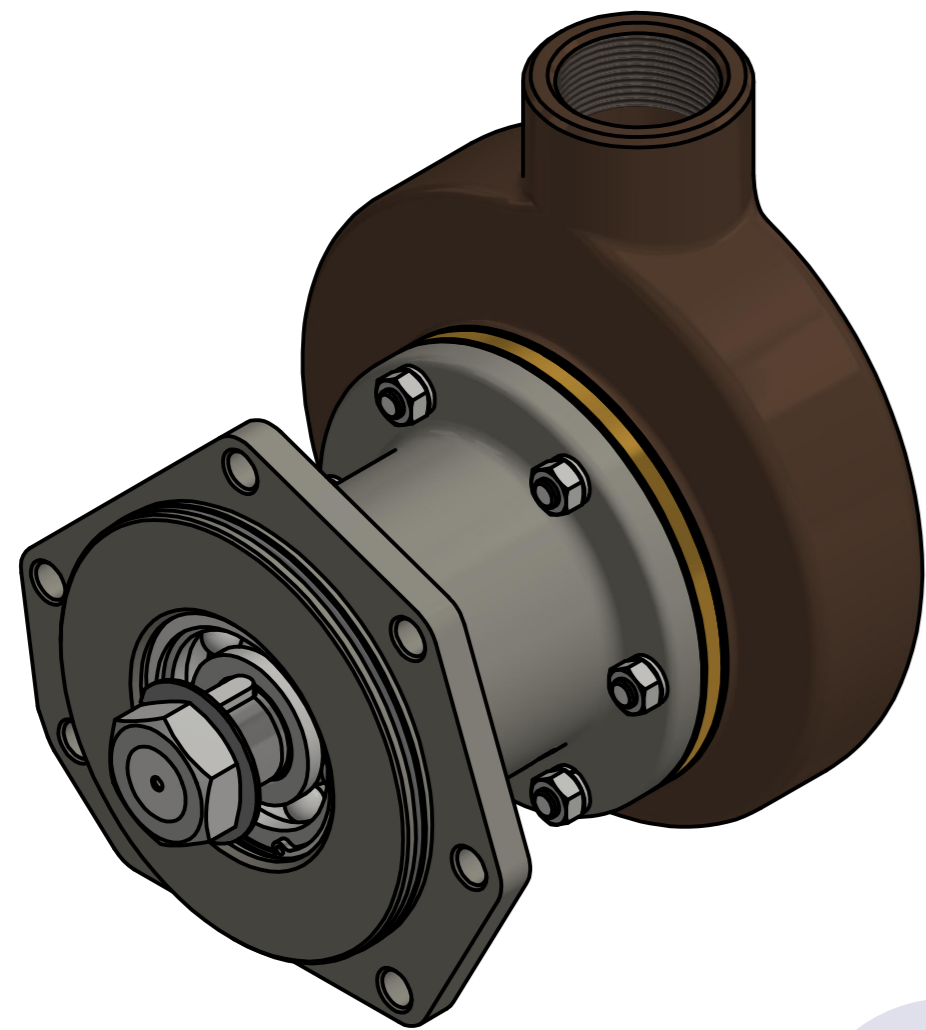


| PART LIST |     |             |           |     |             |
|-----------|-----|-------------|-----------|-----|-------------|
| No.       | QTY | PART NUMBER | PART NAME | MAT | DESCRIPTION |
| 1         | 1   | PUA0117     | PUMP ASSY |     | JPR-ME5000  |



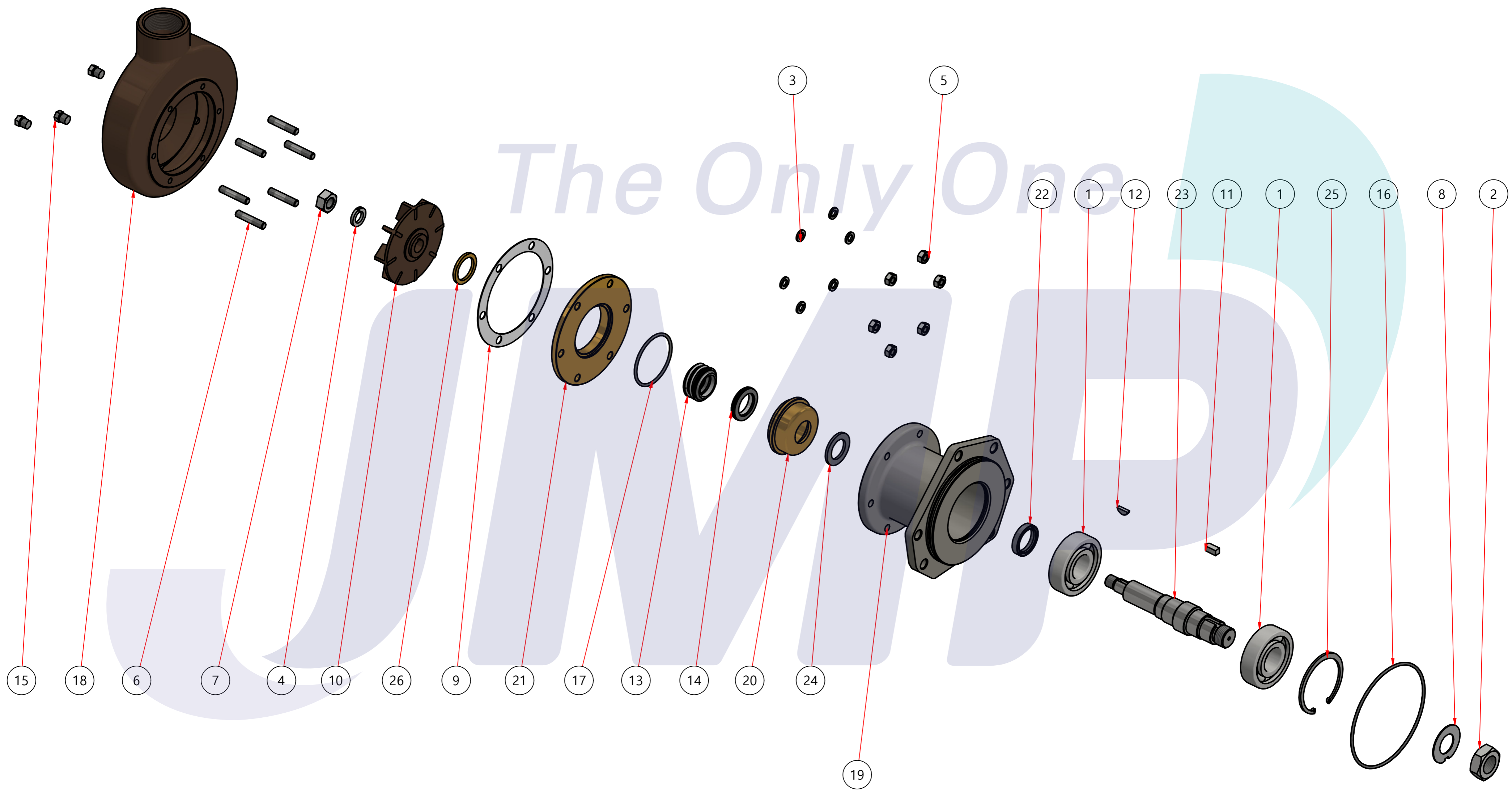
|                        |                         |                    |                           |                    |              |
|------------------------|-------------------------|--------------------|---------------------------|--------------------|--------------|
| Drawing by<br>M.J.KANG | Checked by<br>C.I. JEON | Approved by - date | Model Name<br>JPR-ME5000  | Date<br>2019-02-08 | Scale<br>1:1 |
|                        |                         |                    | PUMP ASSY                 |                    |              |
|                        |                         |                    | PART NUMBER<br>PUA0117(0) | Edition<br>0       | Sheet<br>A2  |

|    |            |
|----|------------|
| 품번 | PUA0117    |
| 품명 | JPR-ME5000 |

A: MAJOR KIT B: MINOR KIT C: M-SEAL SET E: IMPELLER KIT

| No. | QTY | PART NUMBER | PART NAME       | A<br>(JSK0109) | B<br>(JSM0119) | C<br>(MCSSET0004) | D<br>(JIMP0062) |
|-----|-----|-------------|-----------------|----------------|----------------|-------------------|-----------------|
| 1   | 2   | BER0024     | BEARING         | X              |                |                   |                 |
| 2   | 1   | BOL002101   | NUT             | X              |                |                   |                 |
| 3   | 6   | BOL0036     | SPRING WASHER   | X              |                |                   |                 |
| 4   | 1   | BOL0049     | SPRING WASHER   | X              |                |                   |                 |
| 5   | 6   | BOL0078     | NUT             | X              |                |                   |                 |
| 6   | 6   | BOL0165     | STUD BOLT       | X              |                |                   |                 |
| 7   | 1   | BOL0166     | NUT             | X              |                |                   |                 |
| 8   | 1   | BOL0188     | FLAT WASHER     | X              |                |                   |                 |
| 9   | 1   | GAK0066     | GASKET          | X              | X              |                   |                 |
| 10  | 1   | IMP0062     | IMPELLER        | X              | X              |                   | X               |
| 11  | 1   | KEY0018     | KEY             | X              |                |                   |                 |
| 12  | 1   | KEY0031     | KEY             | X              |                |                   |                 |
| 13  | 1   | MCS0005     | CARBON          | X              | X              | X                 |                 |
| 14  | 1   | MCS0009     | CERAMICS        | X              | X              | X                 |                 |
| 15  | 3   | NIP0014     | PLUG            | X              |                |                   |                 |
| 16  | 1   | ORG0021     | O-RING          | X              |                |                   |                 |
| 17  | 1   | ORG0034     | O-RING          | X              |                |                   |                 |
| 18  | 1   | PBC0192     | IMPELLER CASING |                |                |                   |                 |
| 19  | 1   | PBC0193     | BEARING CASING  |                |                |                   |                 |
| 20  | 1   | PBC0194     | SEAL CASING     |                |                |                   |                 |
| 21  | 1   | PORT004     | PLATE           | X              |                |                   |                 |
| 22  | 1   | RET001301   | RETAINER        | X              |                |                   |                 |
| 23  | 1   | SHA0111     | SHAFT           | X              |                |                   |                 |
| 24  | 1   | SLI0003     | SLINGER         | X              |                |                   |                 |
| 25  | 1   | SNP0014     | SNAP-RING       | X              |                |                   |                 |
| 26  | 1   | SPC0028     | SEAL SPACER     | X              | X              |                   |                 |

| 부품 리스트 |    |         |           |    |            |
|--------|----|---------|-----------|----|------------|
| 항목     | 수량 | 부품번호    | 주제        | 재질 | 설명         |
| 1      | 1  | PUA0177 | PUMP ASSY |    | JPR-ME5000 |



|                         |                         |                    |                           |                    |                 |
|-------------------------|-------------------------|--------------------|---------------------------|--------------------|-----------------|
| Drawing by<br>C.H HWANG | Checked by<br>C.I, JEON | Approved by - date | Model Name<br>JPR-ME5000  | Date<br>2020-10-27 | Scale<br>0.32:1 |
|                         |                         |                    | PUMP PARTS VIEW           |                    |                 |
|                         |                         |                    | PART NUMBER<br>PUA0117(0) | Edition<br>0       | Sheet<br>A2     |