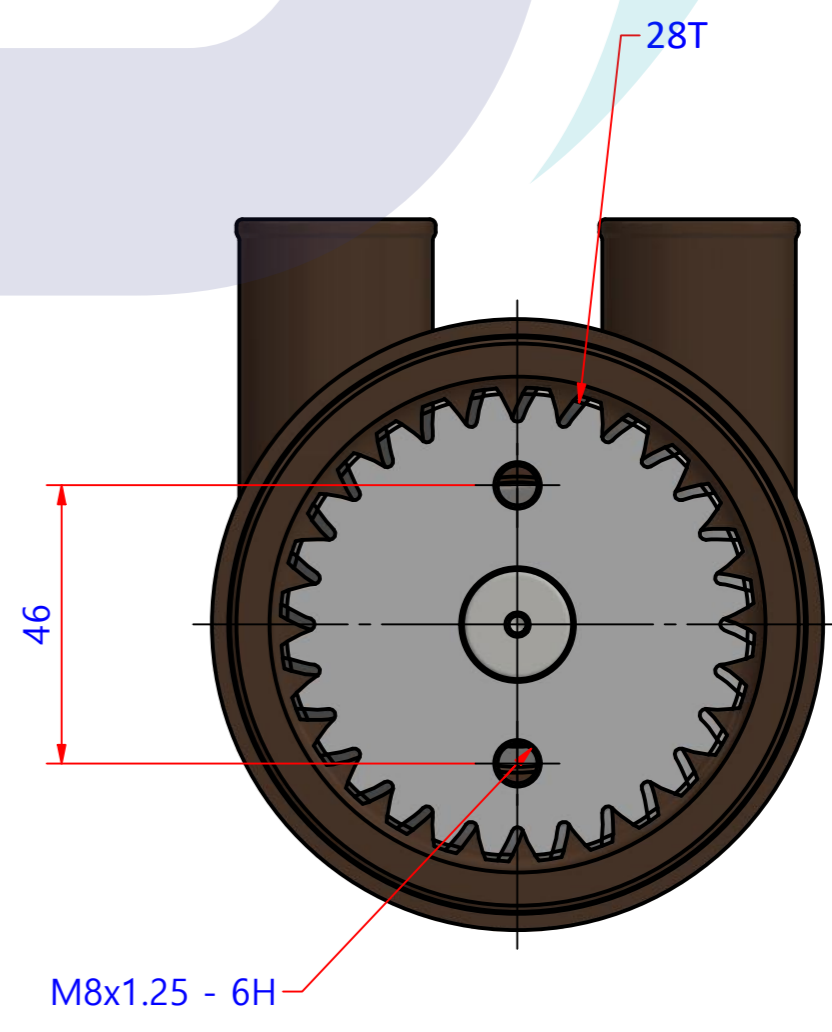
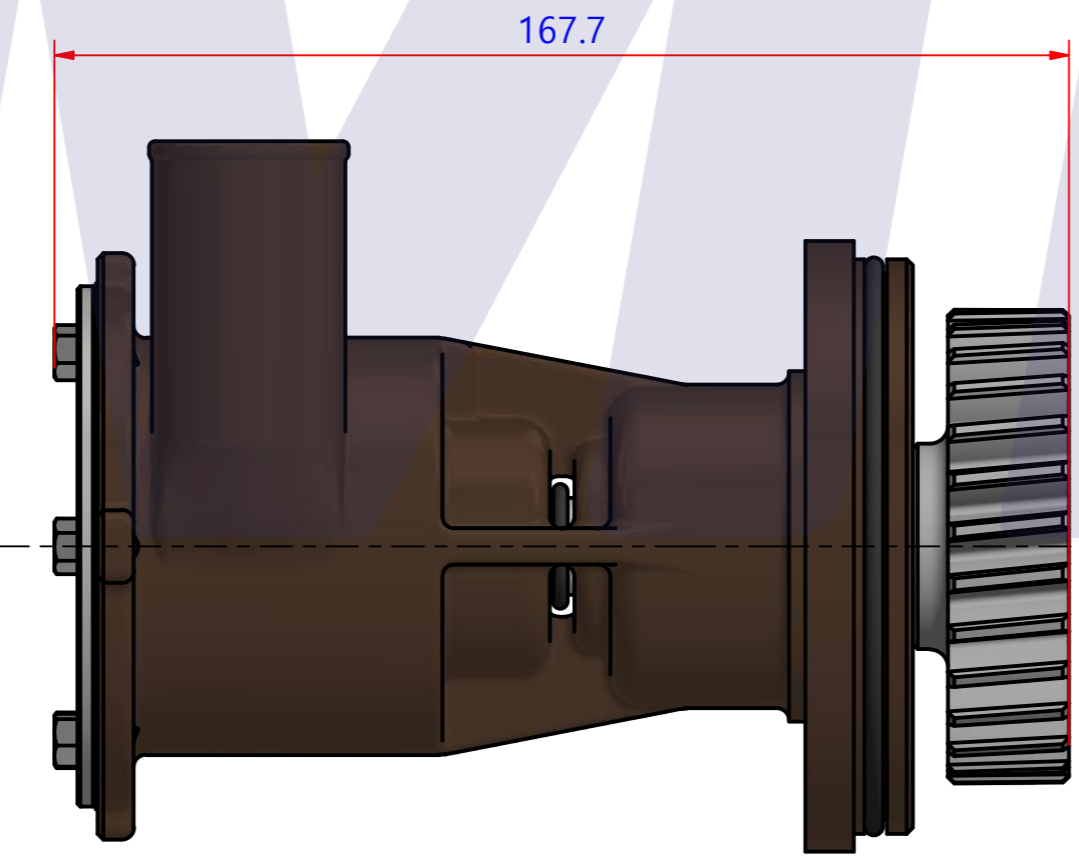
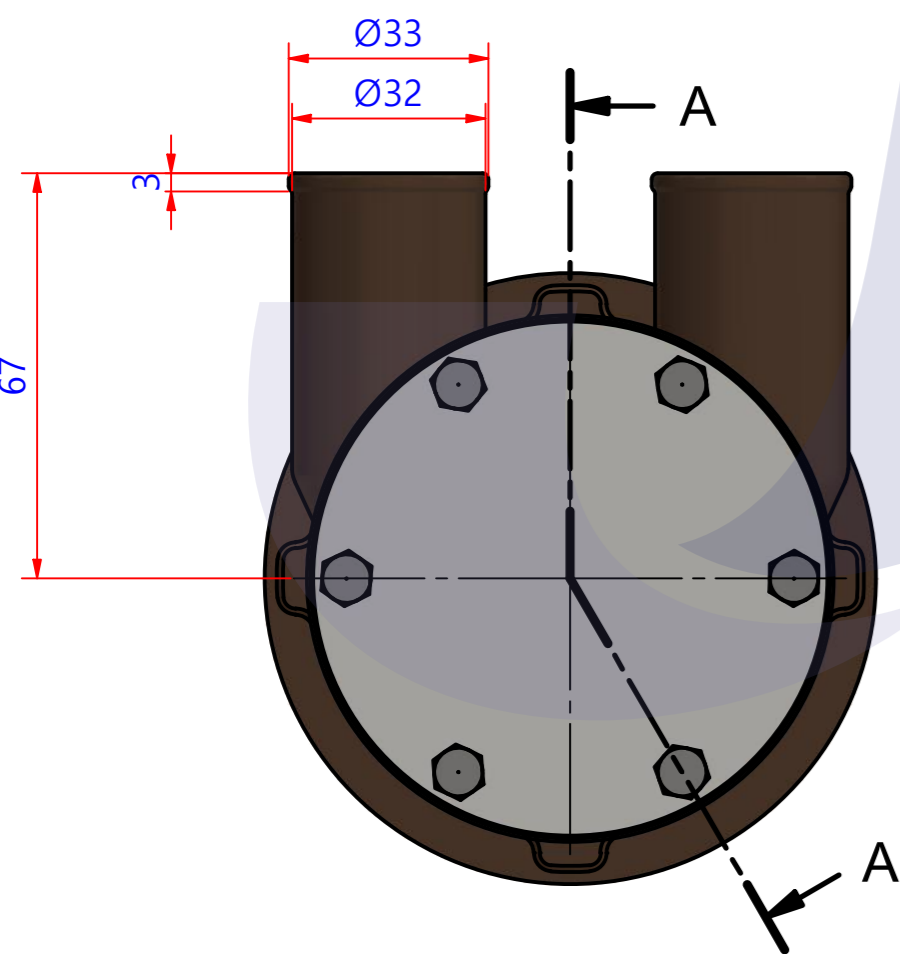
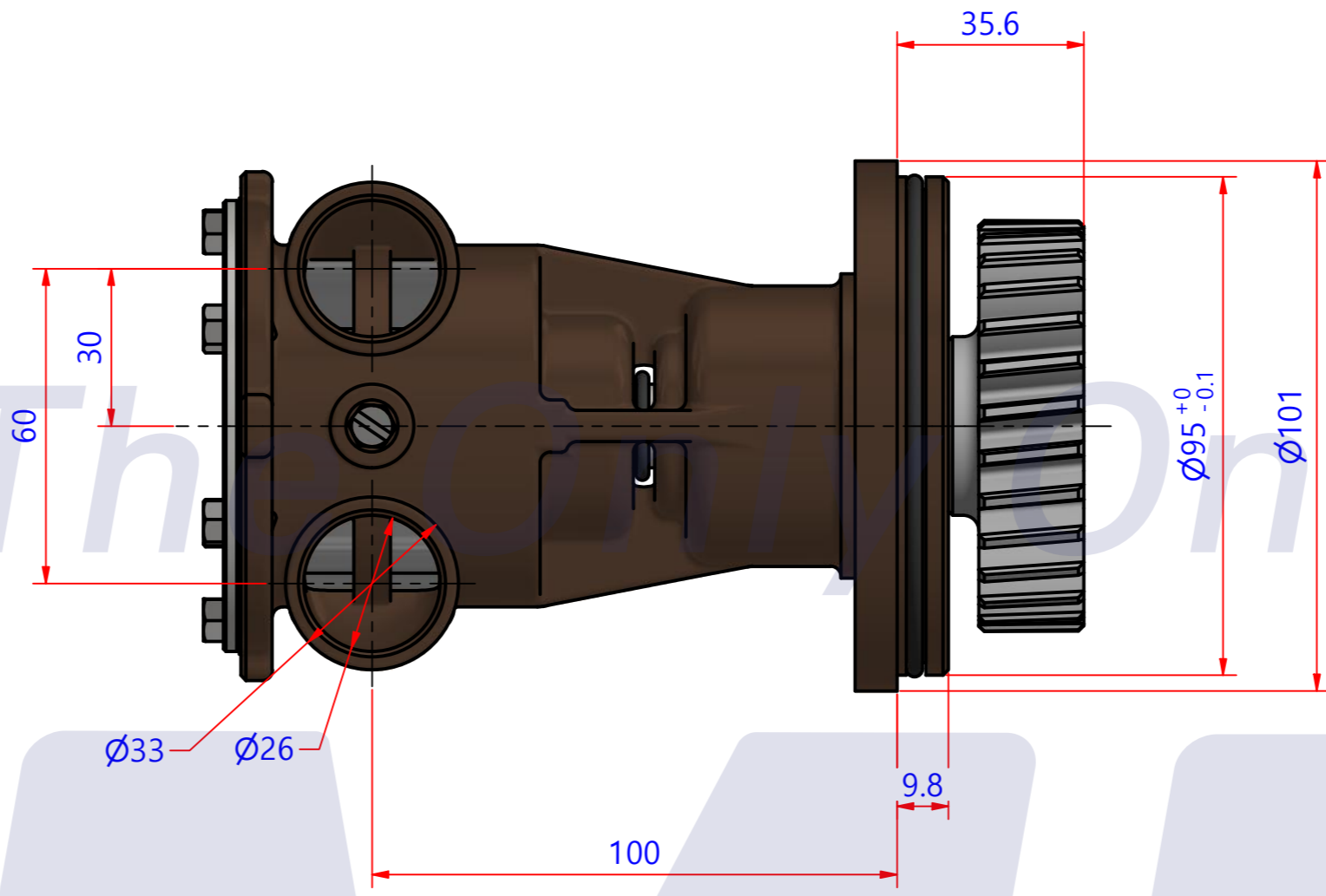
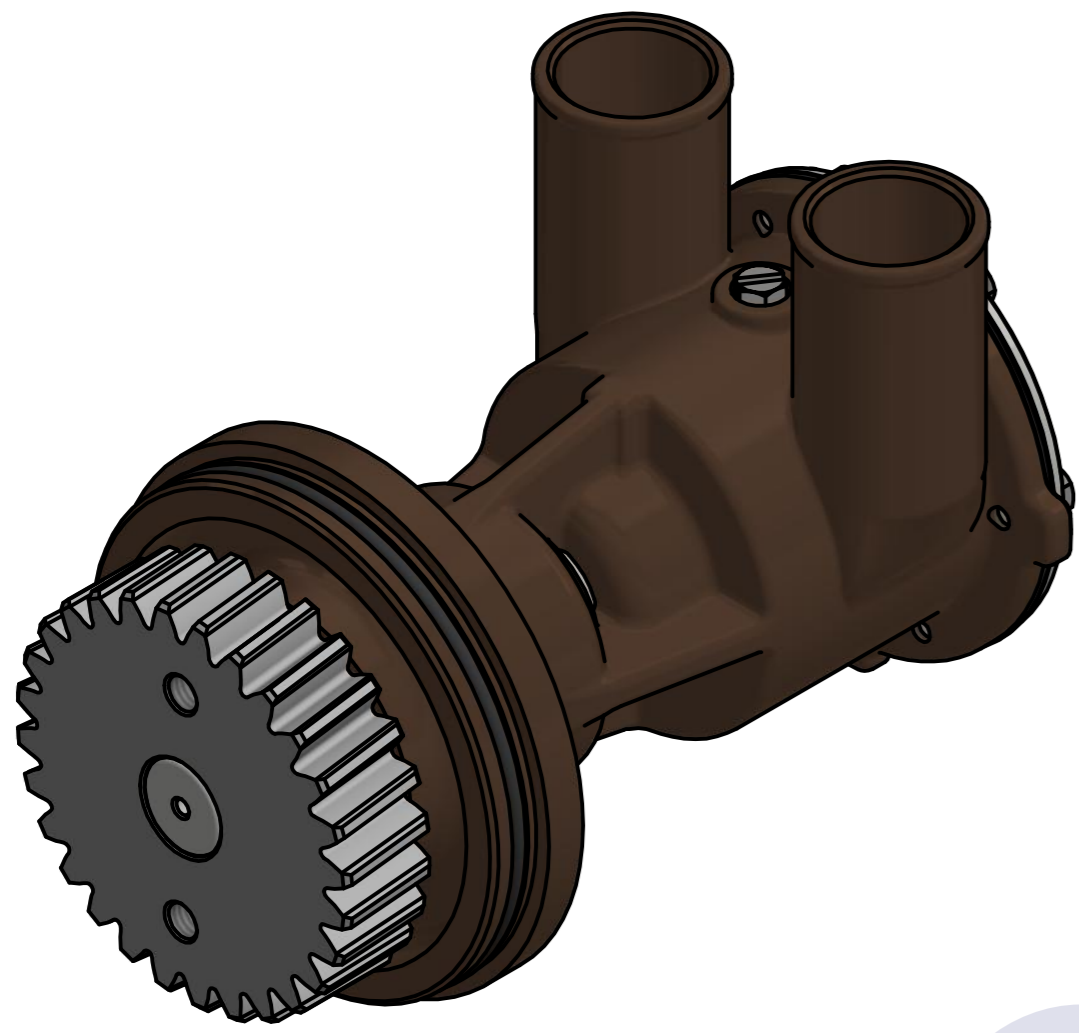


| PART LIST | | | | | |
|-----------|-----|-------------|-----------|-----|-------------|
| No. | QTY | PART NUMBER | PART NAME | MAT | DESCRIPTION |
| 1 | 1 | PUA0174 | PUMP ASSY | | JPR-CT3054 |



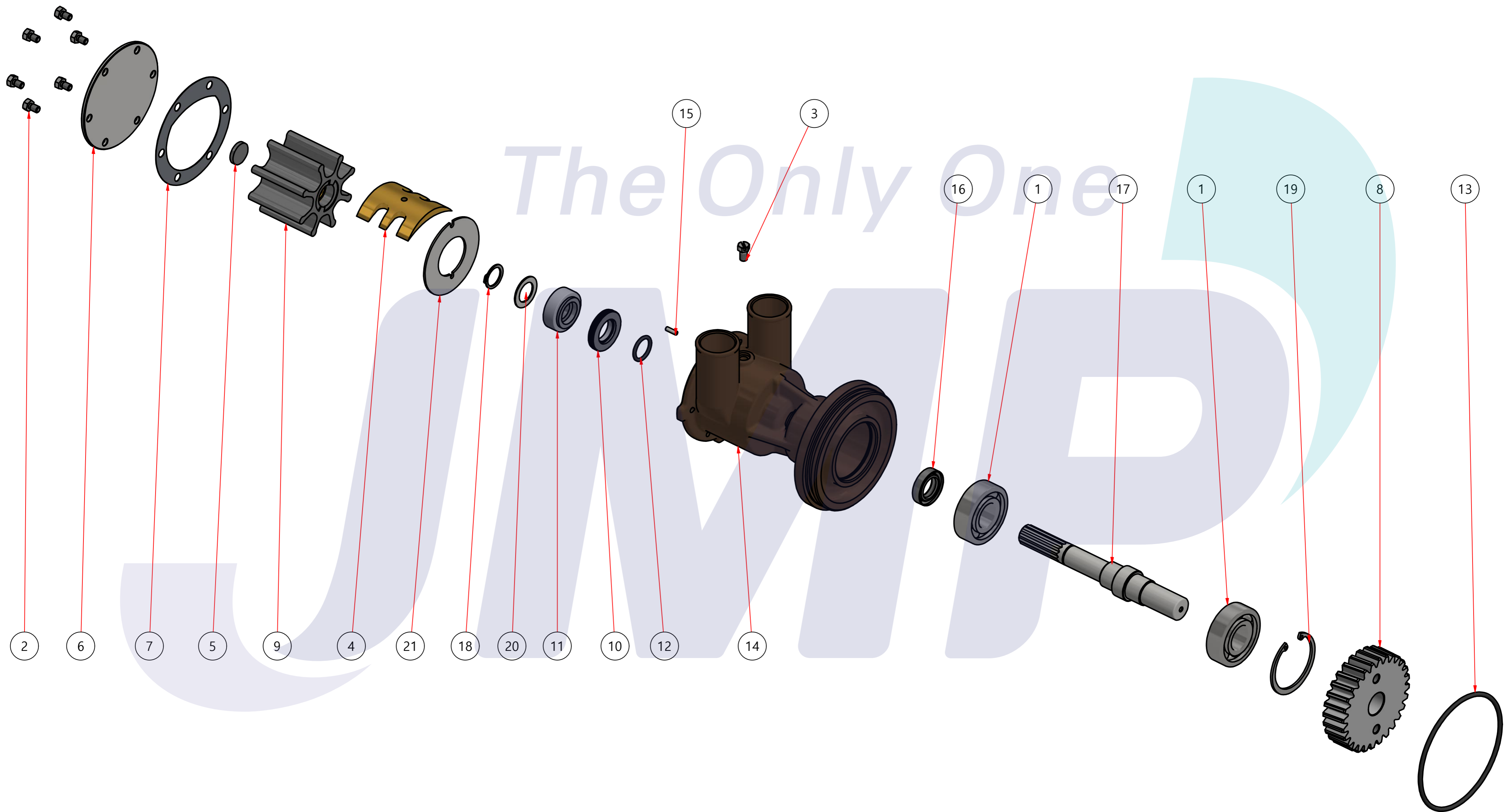
| | | | | | |
|------------|------------|--------------------|-------------|------------|-------|
| Drawing by | Checked by | Approved by - date | Model Name | Date | Scale |
| M.J.KANG | C.I. JEON | | JPR-CT3054 | 2018-06-28 | 1 : 1 |
| | | | PUMP ASSY | | |
| | | | PART NUMBER | Edition | Sheet |
| | | | PUA0174(0) | 0 | A2 |

| | |
|-----|------------|
| 품 번 | PUA0174 |
| 품 명 | JPR-CT3054 |

A: MAJOR KIT B: MINOR KIT C: CAM SET D: M-SEAL SET E: IMPELLER KIT

| No. | QTY | PART NUMBER | PART NAME | A (JSK0142) | B (JSM0142) | C (CAMSET0046) | D (MCSSET0008) | E (JIKJMP024) |
|-----|-----|-------------|-----------------|----------------|----------------|-------------------|-------------------|------------------|
| 1 | 2 | BER0035 | BEARING | X | | | | |
| 2 | 6 | BOL0163 | HEX BOLT | X | X | | | |
| 3 | 1 | BOL0207 | SCREW | X | X | X | | |
| 4 | 1 | CAM000303 | CAM | X | X | X | | |
| 5 | 1 | CAP0002 | IMP CAP | | | | | |
| 6 | 1 | COV0063 | COVER | X | X | | | |
| 7 | 1 | GAK0016 | GASKET | X | X | | | X |
| 8 | 1 | GEA0034 | GEAR | | | | | |
| 9 | 1 | 7400-01 | RUBBER IMPELLER | X | X | | | X |
| 10 | 1 | MCS0013 | CERAMIC | X | X | | X | |
| 11 | 1 | MCS0016 | CARBON | X | X | | X | |
| 12 | 1 | ORG0044 | O-RING | X | X | | | |
| 13 | 1 | ORG0057 | O-RING | X | | | | |
| 14 | 1 | PBC0268 | PUMP CASING | | | | | |
| 15 | 1 | PIN0001 | PIN | | | | | |
| 16 | 1 | RET0013 | RETAINER | X | | | | |
| 17 | 1 | SHA0158 | SHAFT | X | | | | |
| 18 | 1 | SNP0006 | SNAP-RING | X | X | | | |
| 19 | 1 | SNP0010 | SNAP-RING | X | | | | |
| 20 | 1 | SPC0019 | SPACER | X | X | | | |
| 21 | 1 | WER0029 | WEAR PLATE | X | X | | | |

| PART LIST | | | | | |
|-----------|-----|-------------|-----------|-----|-------------|
| No. | QTY | PART NUMBER | PART NAME | MAT | DESCRIPTION |
| 1 | 1 | PUA0174 | PUMP ASSY | | JPR-CT3054 |



| | | | | | |
|------------------------|-------------------------|--------------------|---------------------------|--------------------|--------------|
| Drawing by M.J.KANG | Checked by C.I. JEON | Approved by - date | Model Name JPR-CT3054 | Date 2018-07-03 | Scale 1:1 |
| | | | PUMP PARTS VIEW | | |
| | | | PART NUMBER PUA0174(0) | Edition 0 | Sheet A2 |